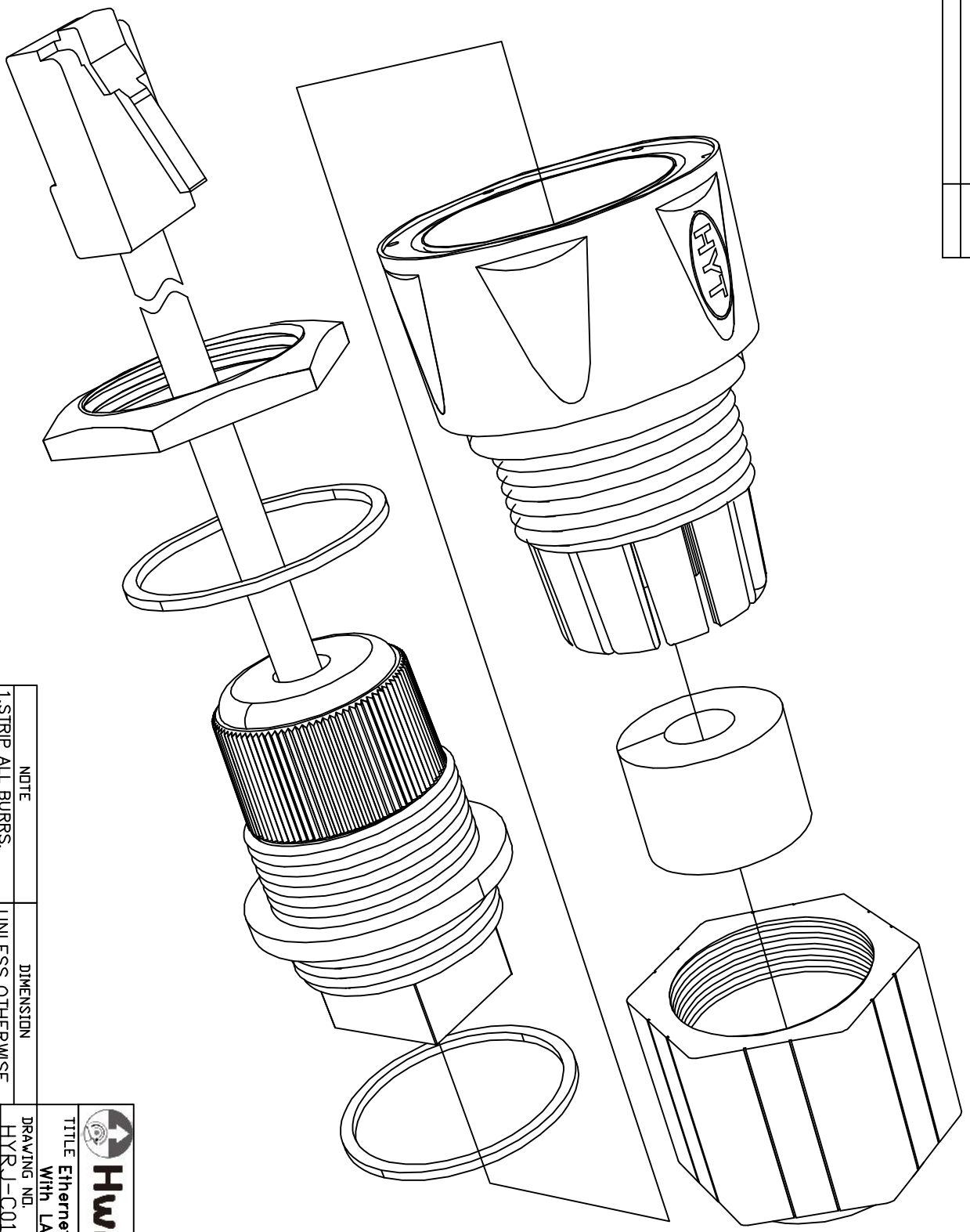


REV	DATE	DESCRIPTION	DRAWN



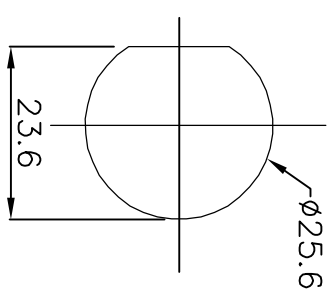
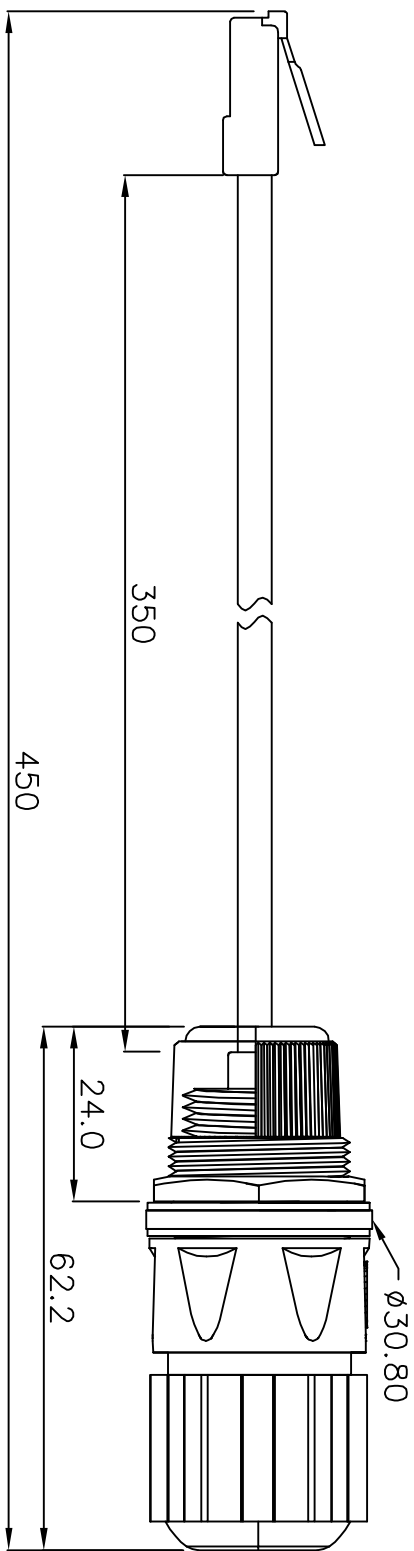
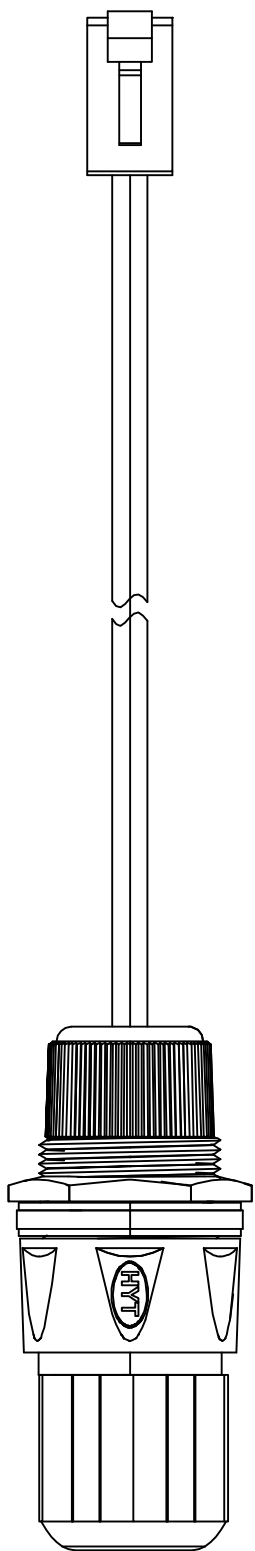
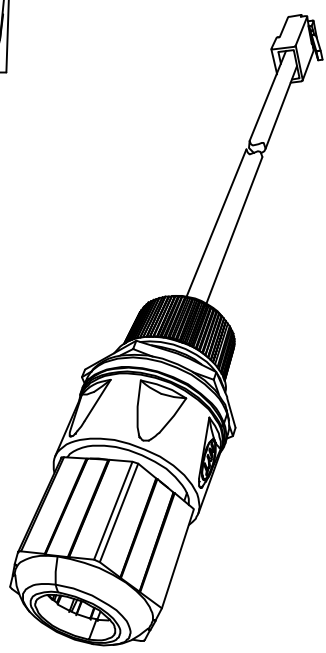
NOTE	DIMENSION
1. STRIP ALL BURRS.	UNLESS OTHERWISE NOTED TOLERANCES
2. ALL DIMENSIONS ARE AFTER PLATING.	0. X = ±0.2
3. DIAMETERS ON COMMON CENTERS TO BE CONCENTRIC WITHIN 0.1 T.I.R	0. XX = ±0.1
4. CHAMFER 1ST & LAST THREADS 45°	0. XXX = ±0.05
5. BREAK ALL CORNERS & EDGES CO.15 MAX.	



Hwayou International Co., Ltd.
ETHERNET WATERPROOF CONNECTOR
WITH LAN CABLE ASSY-1

TITLE		DRAWING NO.	
ETHERNET WATERPROOF CONNECTOR WITH LAN CABLE ASSY-1		HYR-J-C01035-25.0	
APPROVED		DRAWN DATE	
		08/07/10	
CHECKED		SCALE	
		2:1	
DRAWN		UNIT	
ALICE		mm	

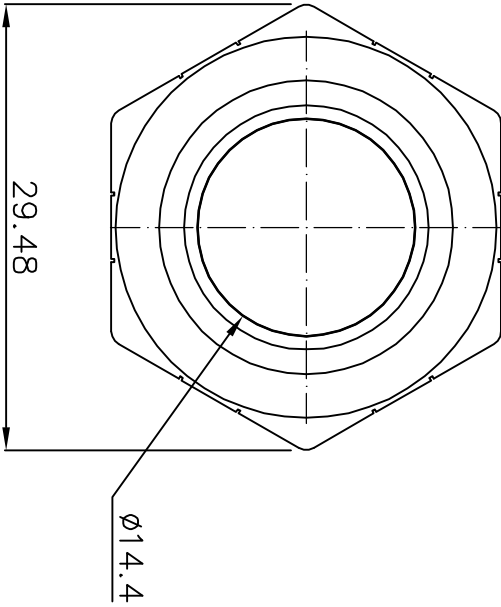
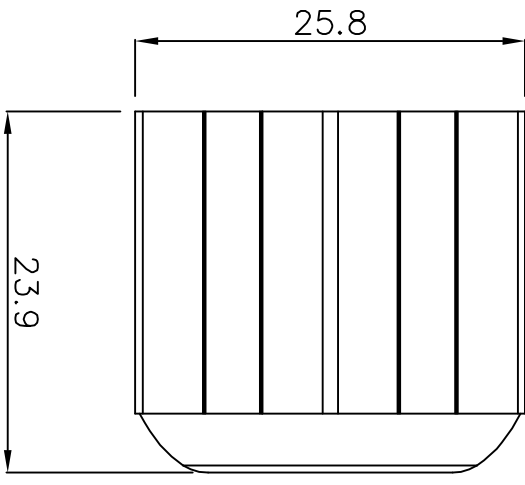
REV	DATE	DESCRIPTION	DRAWN



NOTE	DIMENSION
1. STRIP ALL BURRS.	UNLESS OTHERWISE
2. ALL DIMENSIONS ARE	NOTED TOLERANCES
3. DIAMETERS ON COMMON	0.X = ±0.2
CENTERS,	0.XX = ±0.1
TO BE CONCENTRIC	0.XXX = ±0.05
4. CHAMFER 1ST & LAST	
5. BREAK ALL CONNERS &	
EDGES CO.15 MAX.	

TITLE Ethernet Waterproof Connector With LAN Cable ASSY-2	
DRAWING NO. HYR-J-C01035-25.0	DRAWN DATE 08/07/10
APPROVED	SCALE 1:1
CHECKED	UNIT mm
DRAWN ALICE	

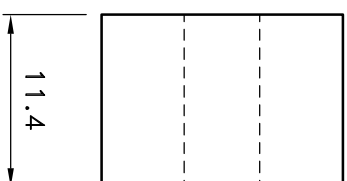
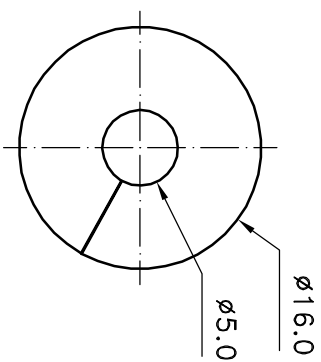
REV	DATE	DESCRIPTION	DRAWN



NOTE	DIMENSION
1. STRIP ALL BURRS.	UNLESS OTHERWISE NOTED TOLERANCES 0.X = ± 0.2 0.XX = ± 0.1 0.XXX = ± 0.05
2. ALL DIMENSIONS ARE AFTER PLATING.	
3. DIAMETERS ON COMMON CENTERS, TO BE CONCENTRIC WITHIN 0.1 T.I.R.	
4. CHAMFER 1.5 \times & LAST 1.5 \times & LAST	
5. BREAK ALL CORNERS & EDGES CO.15 MAX.	

TITLE WEC-Top Screw	
DRAWING NO. R1-0001	
APPROVED	DRAWN DATE 08/07/10
CHECKED	SCALE 2:1
DRAWN ALICE	UNIT mm

REV	DATE	DESCRIPTION	DRAWN
1			



NOTE	DIMENSION
1. STRIP ALL BURRS. 2. ALL DIMENSIONS ARE AFTER PLATING. 3. DIAMETERS ON COMMON CENTERS. 4. CHAMFER 1ST & LAST HEADS WITHIN 0.1 T.I.R. 5. BREAK ALL CORNERS & EDGES CO.15 MAX.	UNLESS OTHERWISE NOTED TOLERANCES $X = \pm 0.3$ $0.X = \pm 0.2$ $0.XX = \pm 0.1$



Hwayou International Co., Ltd.

TITLE

WEC-Waterproof Washer

DRAWING NO.

R1-0013

APPROVED

DRAWN DATE
09/02/16

CHECKED

SCALE
2:1

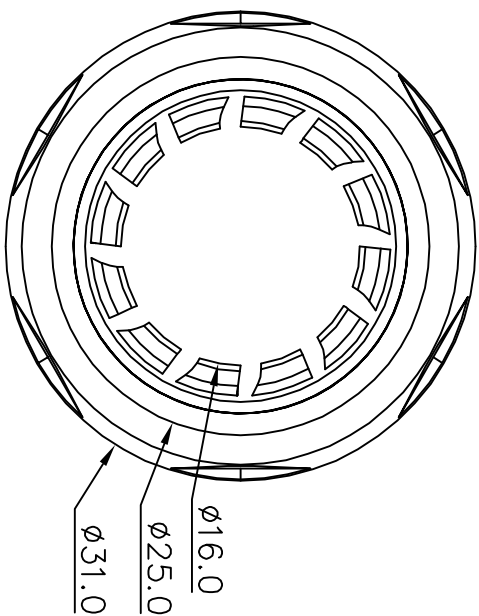
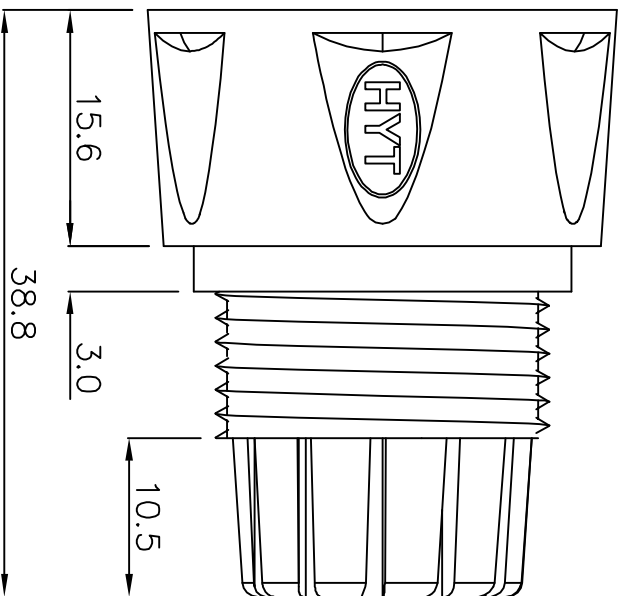
DRAWN

ALICE

UNIT

mm

REV	DATE	DESCRIPTION	DRAWN

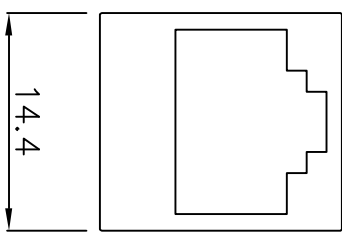
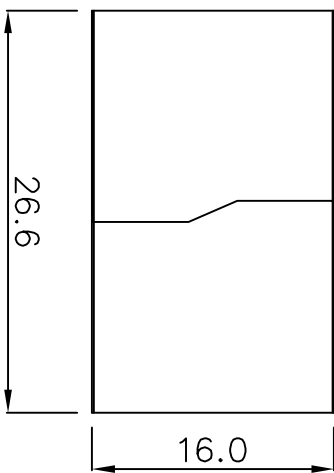
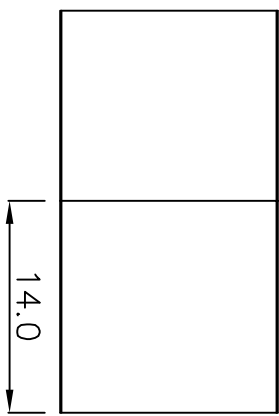


NOTE	DIMENSION
1. STRIP ALL BURRS.	UNLESS OTHERWISE NOTED TOLERANCES
2. ALL DIMENSIONS ARE AFTER PLATING.	0.X = ± 0.2
3. DIAMETERS ON COMMON CENTERS, TO BE CONCENTRIC WITHIN 0.1 T.I.R.	0.XX = ± 0.1
4. CHAMFER 1ST & LAST HEADS.	0.XXX = ± 0.05
5. BREAK ALL CORNERS & EDGES CO.15 MAX.	



TITLE WEC- Clip	
DRAWING NO. R1-0003	
APPROVED	DRAWN DATE 08/07/10
CHECKED	SCALE 2:1
DRAWN ALICE	UNIT mm

REV	DATE	DESCRIPTION	DRAWN

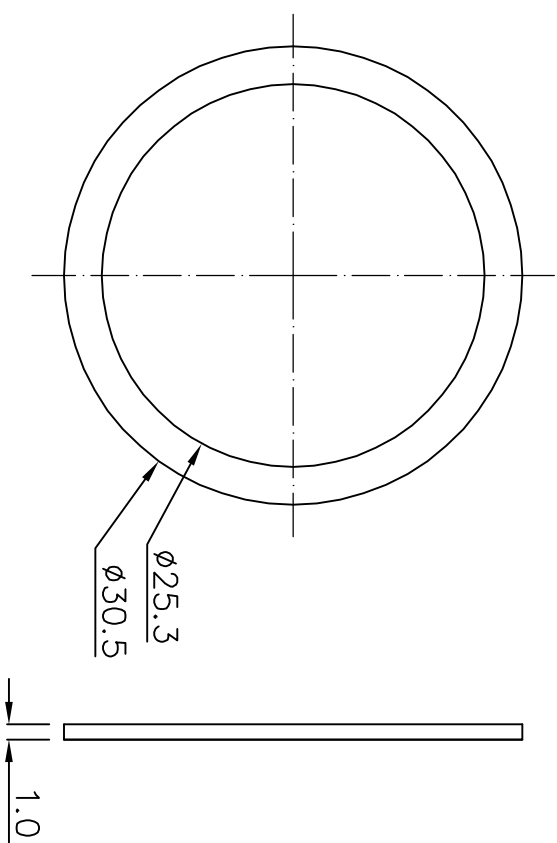


NOTE	DIMENSION
1. STRIP ALL BURRS.	UNLESS OTHERWISE NOTED TOLERANCES 0.X = ±0.2 0.XX = ±0.1 0.XXX = ±0.05
2. ALL DIMENSIONS ARE AFTER PLATING.	
3. DIAMETERS ON COMMON CENTERS TO BE CONCENTRIC WITHIN 0.1 T.I.R.	
4. CHAMFER 1ST & LAST THREADS.	
5. BREAK ALL CORNERS & EDGES CO.15 MAX.	




TITLE WEC-RJ45 Adapter	
DRAWING NO. R1-0004	DRAWN DATE 08/07/10
APPROVED	SCALE 2:1
CHECKED	UNIT mm
DRAWN ALICE	

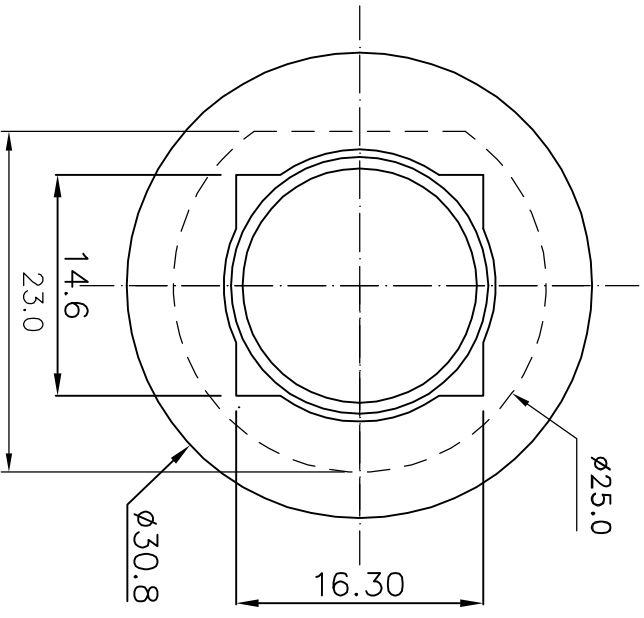
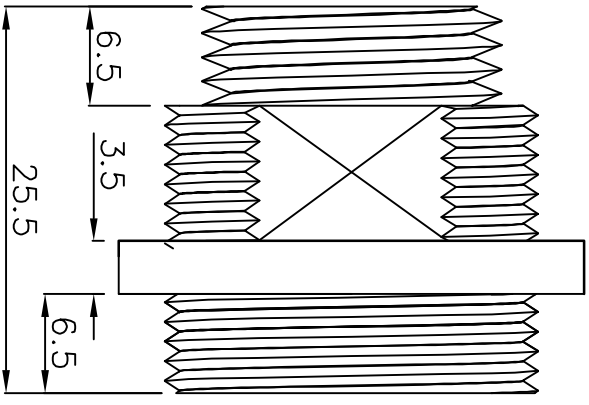
REV	DATE	DESCRIPTION	DRAWN



NOTE	DIMENSION
1. STRIP ALL BURRS.	UNLESS OTHERWISE NOTED TOLERANCES
2. ALL DIMENSIONS ARE AFTER PLATING.	0.X = ± 0.2
3. DIAMETERS ON COMMON CENTERS.	0.XX = ± 0.1
4. CHAMFER 1ST & LAST WITHIN 0.1 T.I.R.	0.XXX = ± 0.05
5. BREAK ALL CORNERS & EDGES CO.15 MAX.	

 Hwayou International Co., Ltd.	
TITLE WEC-Waterproof Spacer 01	
DRAWING NO. R1-0006	DRAWN DATE 08/07/10
APPROVED	SCALE 2:1
CHECKED	UNIT mm
DRAWN ALICE	

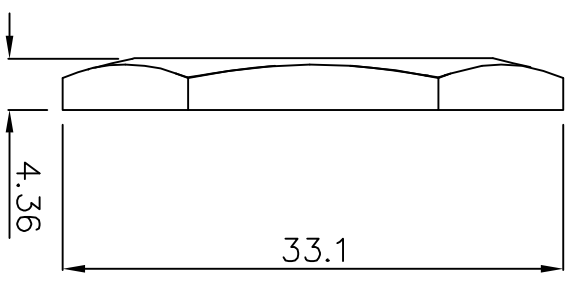
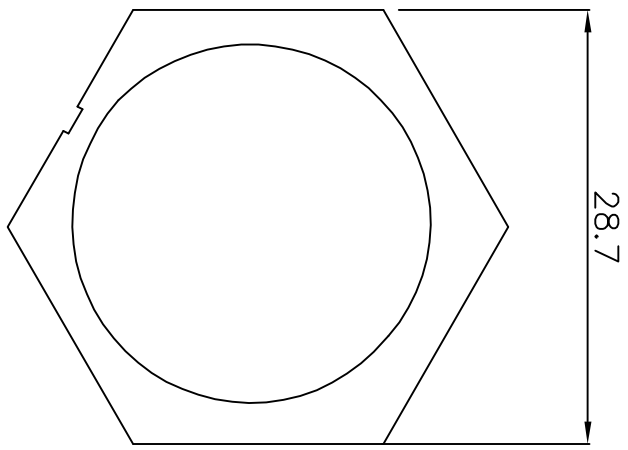
REV	DATE	DESCRIPTION	DRAWN



NOTE	DIMENSION
1. STRIP ALL BURRS.	UNLESS OTHERWISE
2. ALL DIMENSIONS ARE	NOTED TOLERANCES
3. DIAMETERS ON COMMON	0.X = ± 0.2
4. CHAMFERS 1ST & LAST	0.XX = ± 0.1
5. BREAK ALL CORNERS &	0.XXX = ± 0.05

TITLE WEC-Body	
DRAWING NO. R1-0010	DRAWN DATE 08/07/10
APPROVED	SCALE 2:1
CHECKED	UNIT mm
DRAWN ALICE	

REV	DATE	DESCRIPTION	DRAWN



NOTE	DIMENSION
1. STRIP ALL BURRS.	UNLESS OTHERWISE NOTED TOLERANCES
2. ALL DIMENSIONS ARE AFTER PLATING.	0.X = ±0.2
3. DIAMETERS ON COMMON CENTERS, TO BE CONCENTRIC WITHIN 0.1 T.I.R.	0.XX = ±0.1
4. CHAMFER 15° & LAST THREADS 45°	0.XXX = ±0.05
5. BREAK ALL CORNERS & EDGES CO.15 MAX.	



TITLE
WEC-Nut

DRAWING NO.
R1-0007

APPROVED

CHECKED

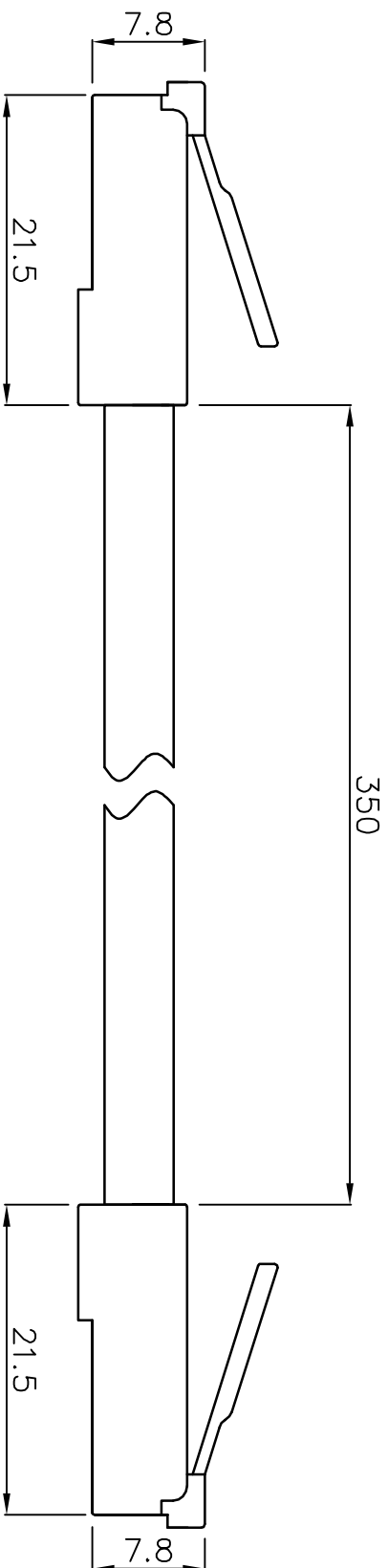
DRAWN
ALICE

DRAWN DATE
08/07/10

SCALE
2:1

UNIT
mm

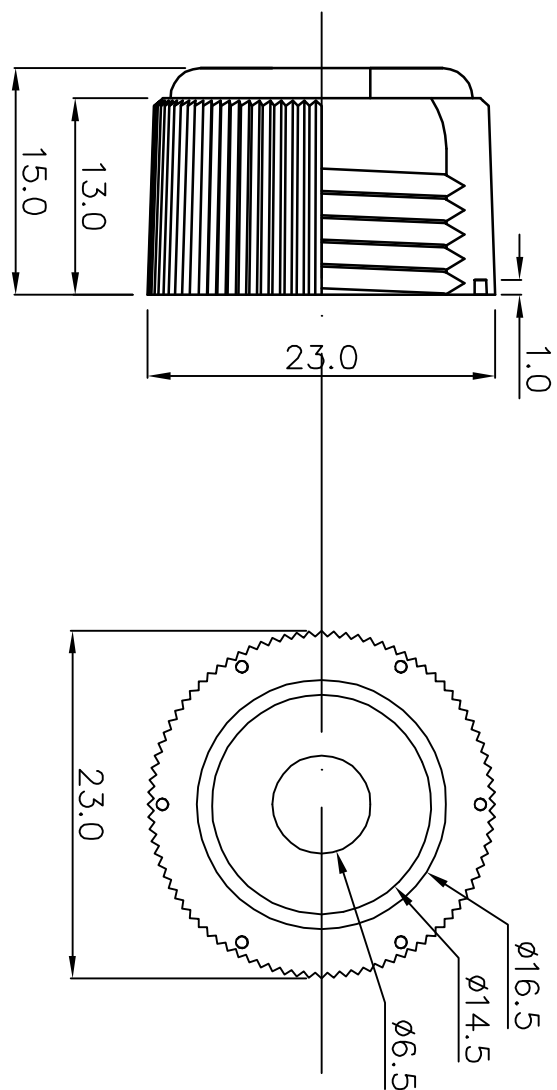
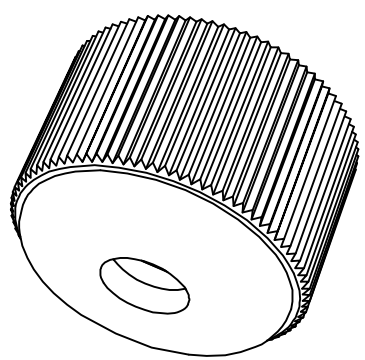
REV	DATE	DESCRIPTION	DRAWN



NOTE	DIMENSION
1. STRIP ALL BURRS.	UNLESS OTHERWISE
2. ALL DIMENSIONS ARE	NOTED TOLERANCES
3. DIAMETERS ON COMMON	0.X = ±0.2
4. CHAMFER 15° & LAST	0.XX = ±0.1
5. BREAK ALL CORNERS &	0.XXX = ±0.05

TITLE WEC-LAN Cable	
DRAWING NO. 12-0001	
APPROVED	DRAWN DATE 08/07/10
CHECKED	SCALE 2:1
DRAWN ALICE	UNIT mm

REV	DATE	DESCRIPTION	DRAWN



NOTE	DIMENSION
1. STRIP ALL BURRS. 2. ALL DIMENSIONS ARE AFTER PLATING. 3. DIAMETERS ON COMMON CENTERS, TO BE CONCENTRIC WITHIN 0.1 T.I.R. 4. CHAMFER 1ST & LAST THREADS. 5. BREAK ALL CORNERS & EDGES CO.15 MAX.	UNLESS OTHERWISE NOTED TOLERANCES O.X=±0.2 O.XX=±0.1 O.XXX=±0.05

TITLE WE-C-Back Cover	
DRAWING NO. R1-0008	
APPROVED	DRAWN DATE 08/07/10
CHECKED	SCALE 2:1
DRAWN ALICE	UNIT mm