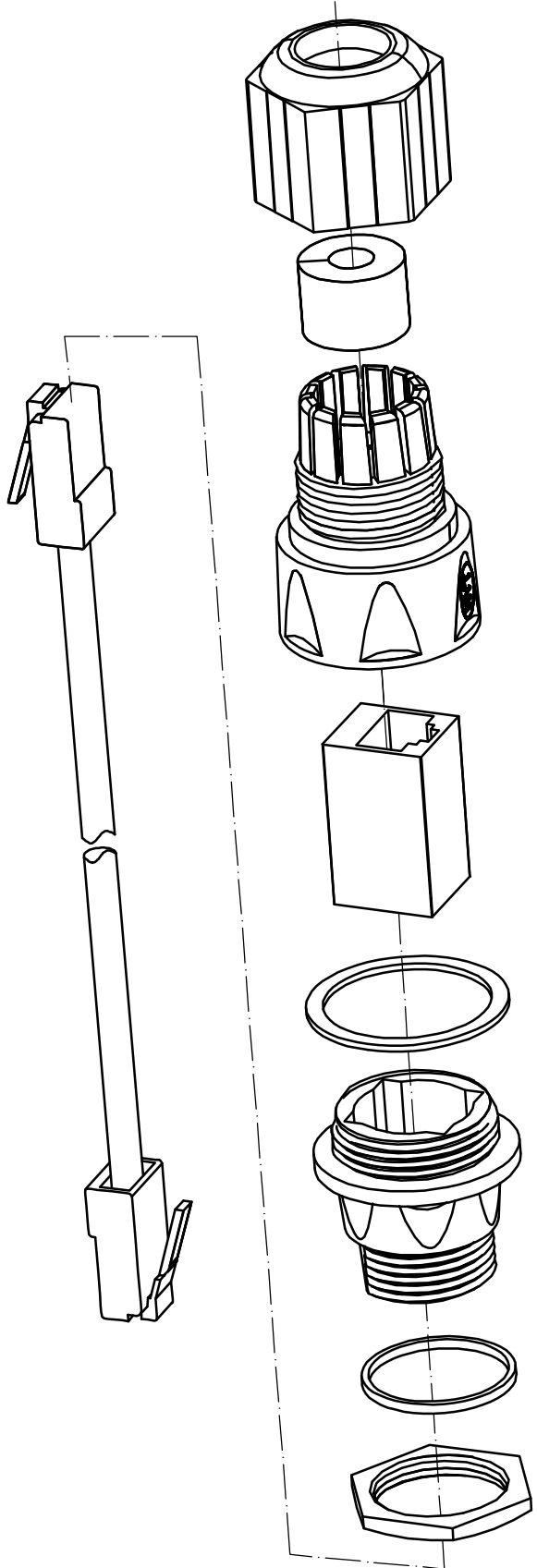


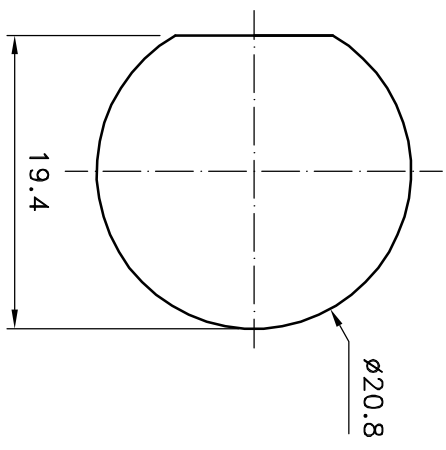
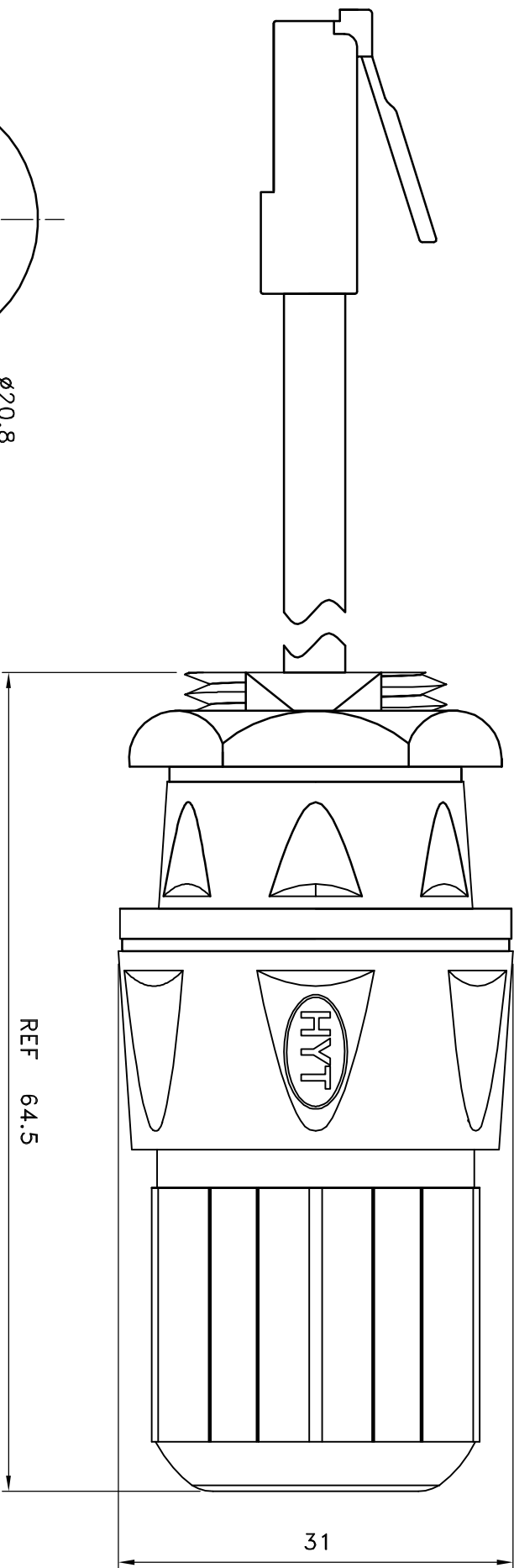
REV	DATE	DESCRIPTION	DRAWN
1			



NOTE	DIMENSION
1. STRIP ALL BURRS. 2. ALL DIMENSIONS ARE AFTER PLATING. 3. DIAMETERS ON COMMON CENTERS TO BE CONCENTRIC WITHIN 0.1 T.I.R. 4. CHAMFER 1ST & LAST HEADS 45° & BREAK ALL CORNERS & EDGES CO.15 MAX.	UNLESS OTHERWISE NOTED TOLERANCES X = ±0.3 0.X = ±0.2 0.XX = ±0.1

 Hwayou International Co., Ltd.	
TITLE: Outdoor Ethernet Waterproof Connector With LAN Cable ASSY-1	
DRAWING NO.	HYRJ-C02035-20.6
APPROVED	
CHECKED	DRAWN DATE 09/04/02
DRAWN	SCALE 1:1
ALICE	UNIT mm

REV	DATE	DESCRIPTION	DRAWN
1			

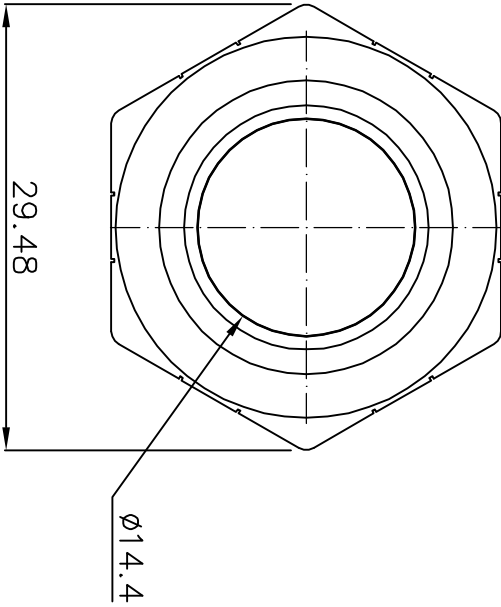
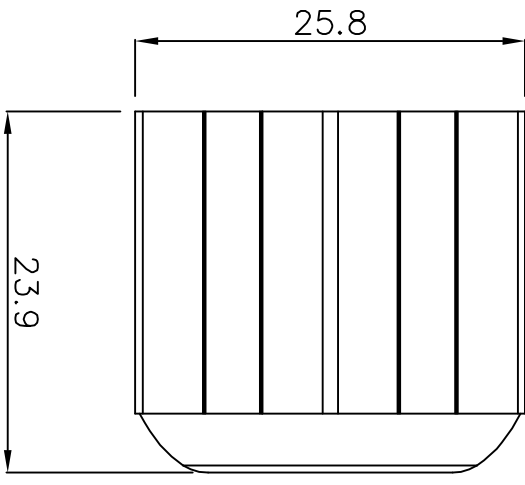


Hole dimension

NOTE	DIMENSION
1. STRIP ALL BURRS.	UNLESS OTHERWISE NOTED TOLERANCES X = ± 0.3 0.X = ± 0.2 0.XX = ± 0.1
2. ALL DIMENSIONS ARE AFTER PLATING.	
3. DIAMETERS ON COMMON CENTERS TO BE CONCENTRIC WITHIN 0.1 T.I.R.	
4. CHAMFER 15° & LAST BREAK ALL CORNERS & EDGES CO.15 MAX.	

 Hwabyou International Co., Ltd.	
TITLE Outdoor Ethernet Waterproof Connector With LAN Cable ASSY-2	
DRAWING NO.	HYRJ-C02035-20.6
APPROVED	DRAWN DATE 09/04/02
CHECKED	SCALE 2:1
DRAWN ALICE	UNIT mm

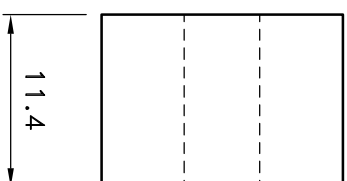
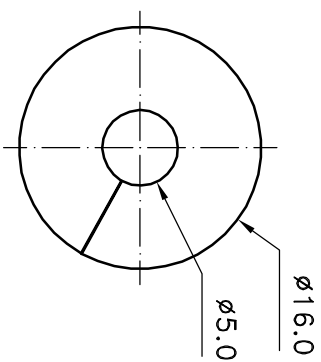
REV	DATE	DESCRIPTION	DRAWN



NOTE	DIMENSION
1. STRIP ALL BURRS.	UNLESS OTHERWISE NOTED TOLERANCES 0.X = ± 0.2 0.XX = ± 0.1 0.XXX = ± 0.05
2. ALL DIMENSIONS ARE AFTER PLATING.	
3. DIAMETERS ON COMMON CENTERS, TO BE CONCENTRIC WITHIN 0.1 T.I.R.	
4. CHAMFER 1.5 \times & LAST 1.5 \times & LAST	
5. BREAK ALL CORNERS & EDGES CO.15 MAX.	

TITLE WEC-Top Screw	
DRAWING NO. R1-0001	
APPROVED	DRAWN DATE 08/07/10
CHECKED	SCALE 2:1
DRAWN ALICE	UNIT mm

REV	DATE	DESCRIPTION	DRAWN
1			



NOTE	DIMENSION
1. STRIP ALL BURRS. 2. ALL DIMENSIONS ARE AFTER PLATING. 3. DIAMETERS ON COMMON CENTERS. 4. CHAMFER 1ST & LAST HEADS WITHIN 0.1 T.I.R. 5. BREAK ALL CORNERS & EDGES CO.15 MAX.	UNLESS OTHERWISE NOTED TOLERANCES $X = \pm 0.3$ $0.X = \pm 0.2$ $0.XX = \pm 0.1$



Hwayou International Co., Ltd.

TITLE

WEC-Waterproof Washer

DRAWING NO.

R1-0013

APPROVED

DRAWN DATE
09/02/16

CHECKED

SCALE
2:1

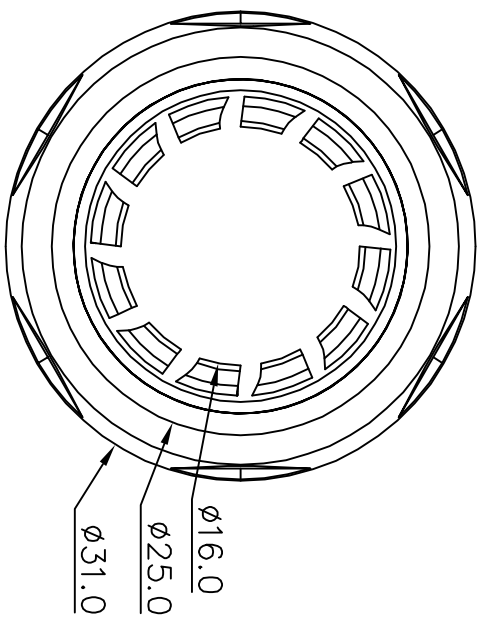
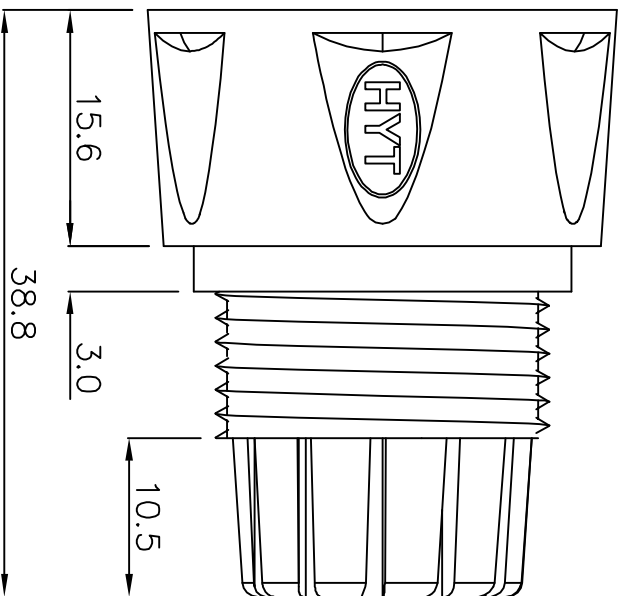
DRAWN

ALICE

UNIT

mm

REV	DATE	DESCRIPTION	DRAWN



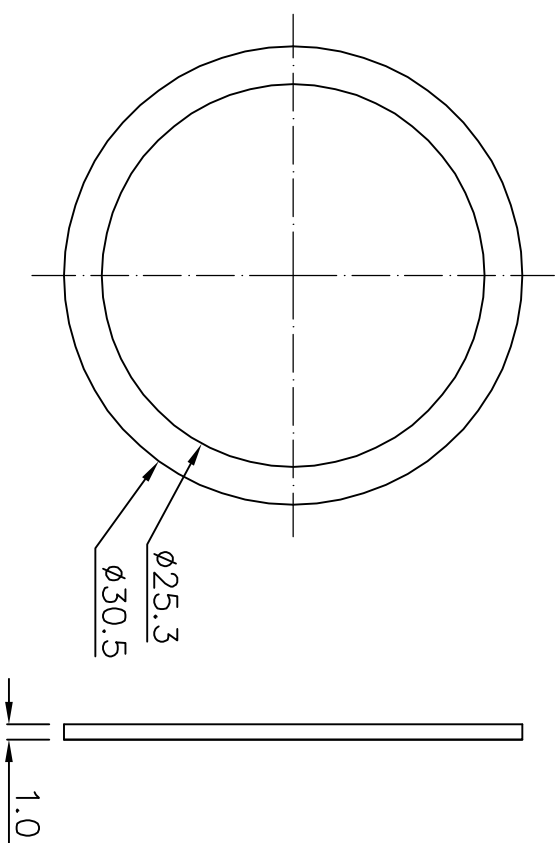
NOTE	DIMENSION
1. STRIP ALL BURRS.	UNLESS OTHERWISE NOTED TOLERANCES
2. ALL DIMENSIONS ARE AFTER PLATING.	0.X = ± 0.2
3. DIAMETERS ON COMMON CENTERS, TO BE CONCENTRIC WITHIN 0.1 T.I.R.	0.XX = ± 0.1
4. CHAMFER 1ST & LAST HEADS.	0.XXX = ± 0.05
5. BREAK ALL CORNERS & EDGES CO.15 MAX.	




Hwayou International Co., Ltd.

TITLE	WEC- Clip
DRAWING NO.	R1-0003
APPROVED	
CHECKED	
DRAWN	ALICE
DRAWN DATE	08/07/10
SCALE	2:1
UNIT	mm

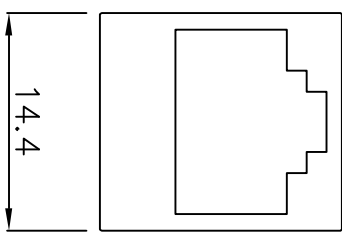
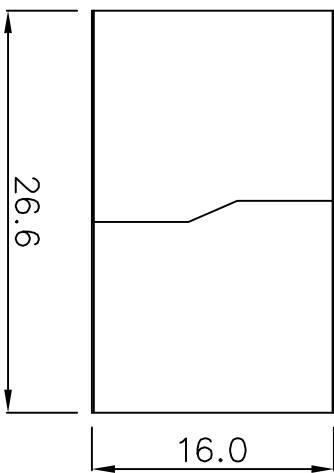
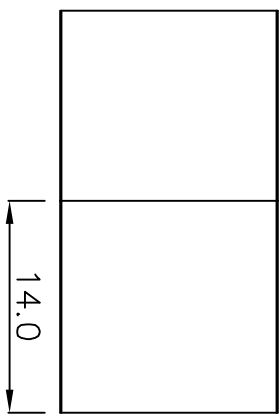
REV	DATE	DESCRIPTION	DRAWN



NOTE	DIMENSION
1. STRIP ALL BURRS.	UNLESS OTHERWISE NOTED TOLERANCES
2. ALL DIMENSIONS ARE AFTER PLATING.	0.X = ±0.2
3. DIAMETERS ON COMMON CENTERS TO BE CONCENTRIC WITHIN 0.1 T.I.R.	0.XX = ±0.1
4. CHAMFER 1ST & LAST HEADS.	0.XXX = ±0.05
5. BREAK ALL CORNERS & EDGES CO.15 MAX.	

 Hwayou International Co., Ltd.	
TITLE WEC-Waterproof Spacer 01	
DRAWING NO. R1-0006	DRAWN DATE 08/07/10
APPROVED	SCALE 2:1
CHECKED	UNIT mm
DRAWN ALICE	

REV	DATE	DESCRIPTION	DRAWN

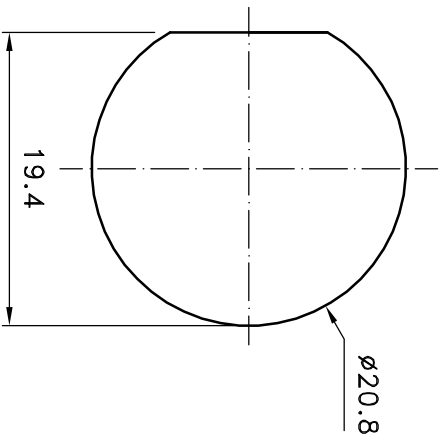
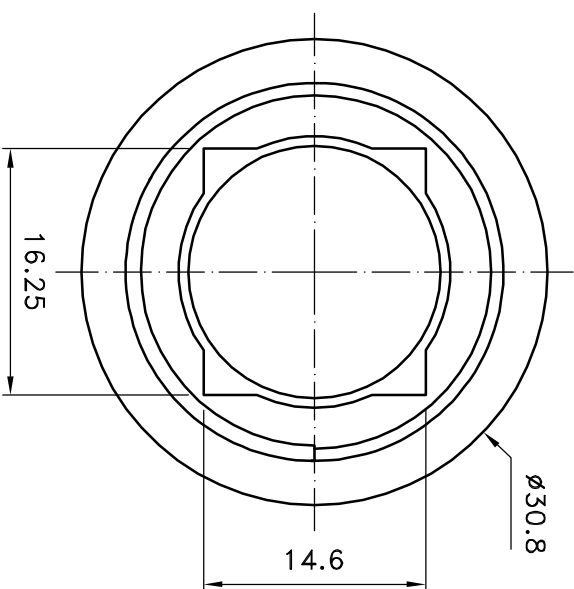
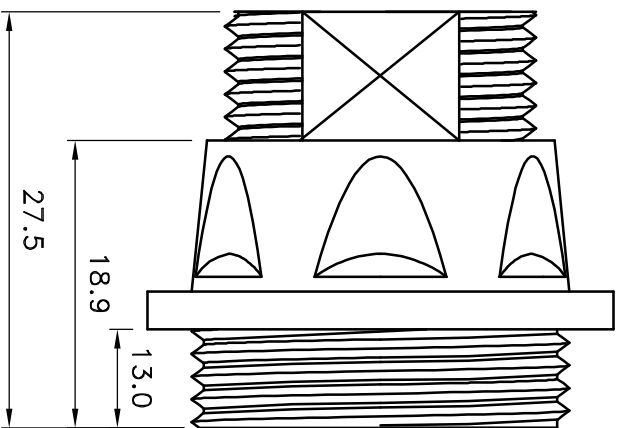
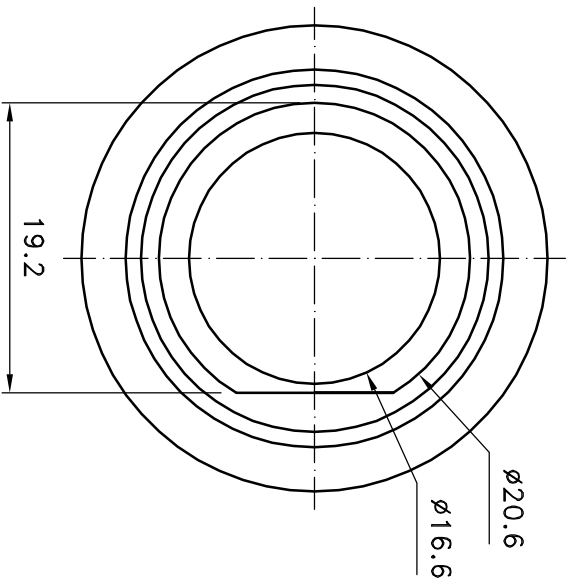


NOTE	DIMENSION
1. STRIP ALL BURRS.	UNLESS OTHERWISE NOTED TOLERANCES 0.X = ±0.2 0.XX = ±0.1 0.XXX = ±0.05
2. ALL DIMENSIONS ARE AFTER PLATING.	
3. DIAMETERS ON COMMON CENTERS TO BE CONCENTRIC WITHIN 0.1 T.I.R.	
4. CHAMFER 1ST & LAST THREADS.	
5. BREAK ALL CORNERS & EDGES CO.15 MAX.	



TITLE WEC-RJ45 Adapter	
DRAWING NO. R1-0004	DRAWN DATE 08/07/10
APPROVED	SCALE 2:1
CHECKED	UNIT mm
DRAWN ALICE	

REV	DATE	DESCRIPTION	DRAWN
1			



Hole dimension

NOTE	DIMENSION
1. STRIP ALL BURRS.	UNLESS OTHERWISE NOTED TOLERANCES X = ± 0.3 O.X = ± 0.2 O.XX = ± 0.1
2. ALL DIMENSIONS ARE AFTER PLATING.	
3. DIAMETERS ON COMMON CENTERS TO BE CONCENTRIC WITHIN 0.1 T.I.R.	
4. CHAMFER 1ST & LAST HEADS 45°	
5. BREAK ALL CORNERS & EDGES CO.15 MAX.	



Hwayou International Co., Ltd.

TITLE

WEC-Body

DRAWING NO.

R1-0011

APPROVED

CHECKED

DRAWN

ALICE

DRAWN DATE

09/04/17

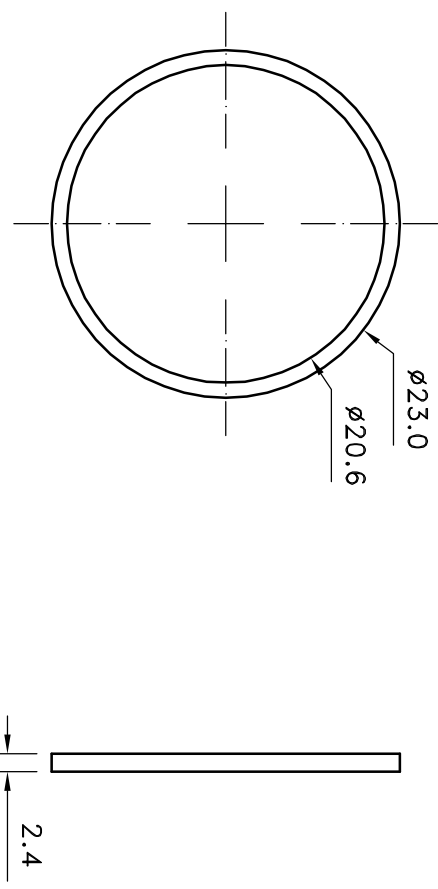
SCALE

2:1

UNIT

mm

REV	DATE	DESCRIPTION	DRAWN
1			

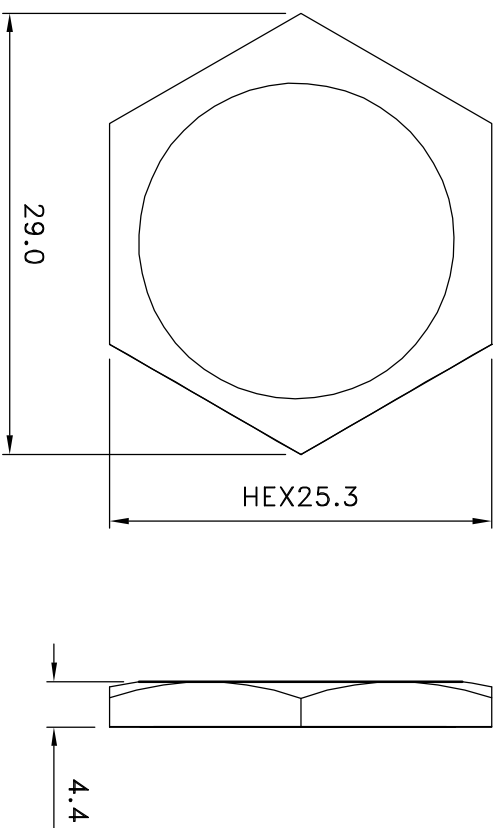


NOTE	DIMENSION
1. STRIP ALL BURRS.	UNLESS OTHERWISE NOTED TOLERANCES X = ± 0.3 O.X = ± 0.2 O.XX = ± 0.1
2. ALL DIMENSIONS ARE AFTER PLATING.	
3. DIAMETERS ON COMMON CENTERS.	
4. CHAMFER 1ST & LAST WITHIN 0.1 T.I.R.	
5. BREAK ALL CORNERS & EDGES CO.15 MAX.	



TITLE WEC-Waterproof Spacer 02	
DRAWING NO. R1-0009	
APPROVED	DRAWN DATE 09/04/17
CHECKED	SCALE 2:1
DRAWN ALICE	UNIT mm

REV	DATE	DESCRIPTION	DRAWN
1			



NOTE	DIMENSION
1. STRIP ALL BURRS. 2. ALL DIMENSIONS ARE AFTER PLATING. 3. DIAMETERS ON COMMON CENTERS TO BE CONCENTRIC WITHIN 0.1 T.I.R. 4. CHAMFER 1ST & LAST THREADS. 5. BREAK ALL CORNERS & EDGES CO.15 MAX.	UNLESS OTHERWISE NOTED TOLERANCES X = ±0.3 0.X = ±0.2 0.XX = ±0.1



TITLE
WEC-Nut

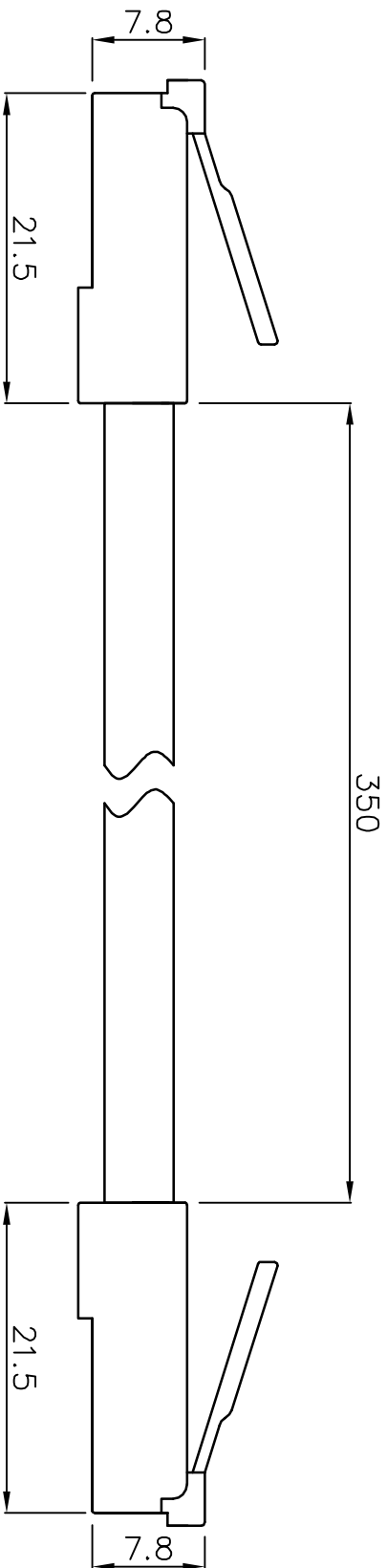
DRAWING NO.
R1-0012

APPROVED
09/04/17

CHECKED
SCALE 2:1

DRAWN
ALICE UNIT **mm**

REV	DATE	DESCRIPTION	DRAWN



NOTE	DIMENSION
1. STRIP ALL BURRS. 2. ALL DIMENSIONS ARE AFTER FLATTING. 3. DIAMETERS ON COMMON CENTERS. 4. CHAMFER 15° & LAST BREAK ALL CORNERS & EDGES CO.15 MAX.	UNLESS OTHERWISE NOTED TOLERANCES 0.X = ±0.2 0.XX = ±0.1 0.XXX = ±0.05



TITLE WEC-LAN Cable	
DRAWING NO. 12-0001	
APPROVED	DRAWN DATE 08/07/10
CHECKED	SCALE 2:1
DRAWN ALICE	UNIT mm