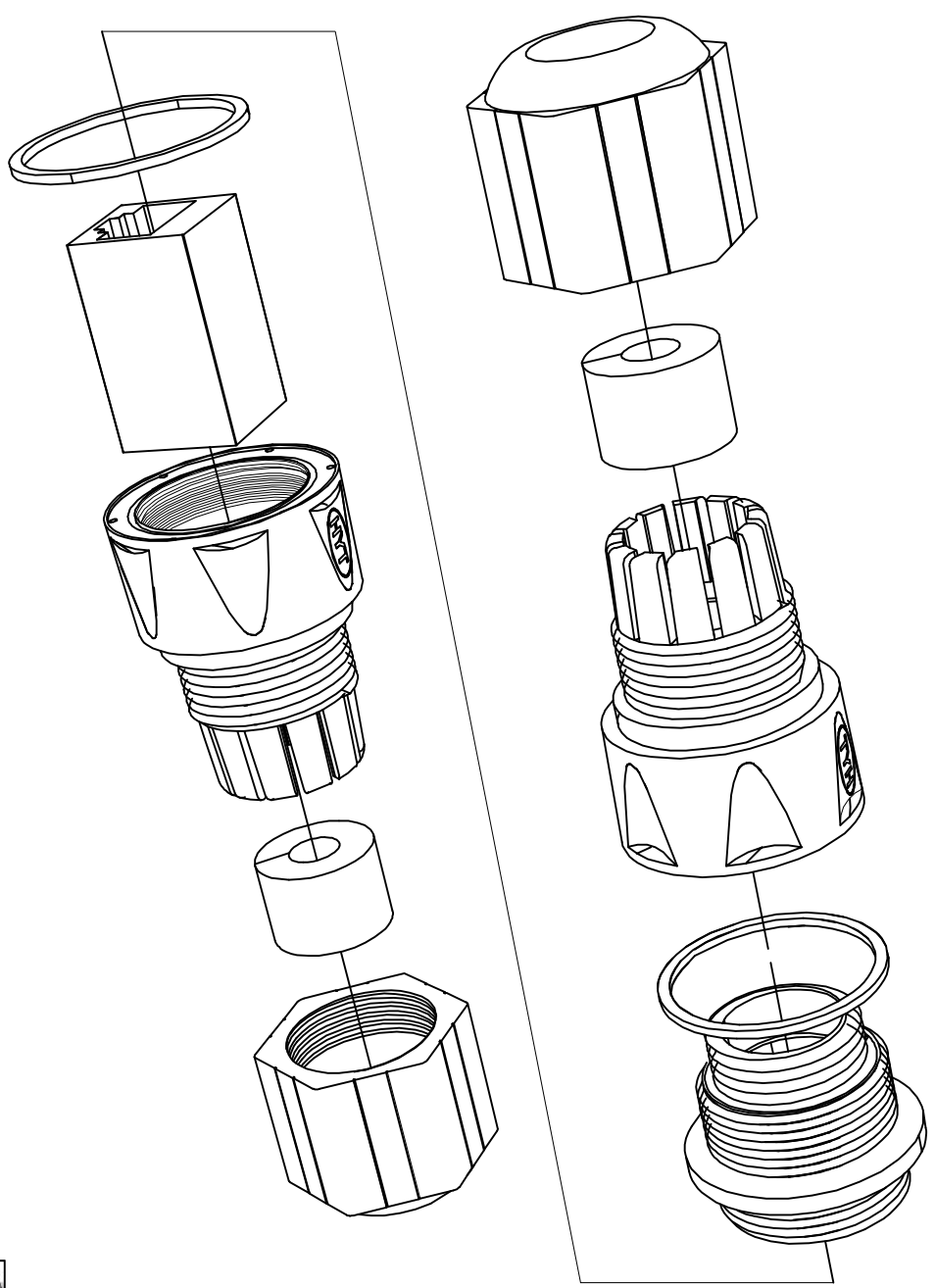


REV	DATE	DESCRIPTION	DRAWN



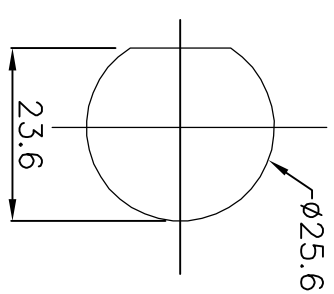
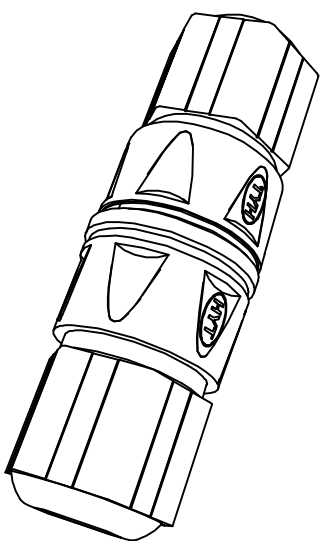
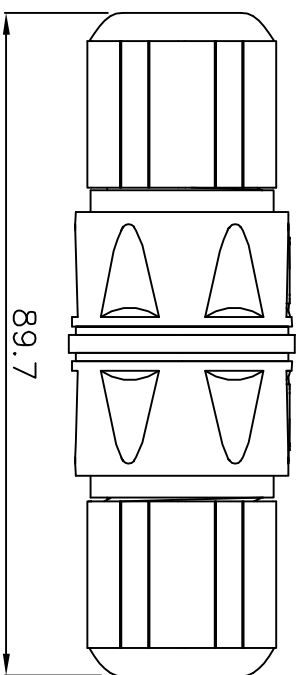
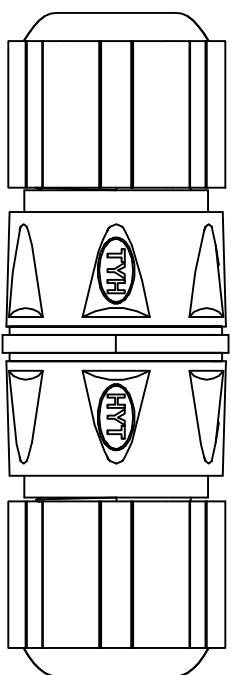
NOTE	DIMENSION
1. STRIP ALL BURRS.	UNLESS OTHERWISE
2. ALL DIMENSIONS ARE	NOTED TOLERANCES
3. DIAMETERS ON COMMON	0. X = ±0.2
CENTERS,	0. XX = ±0.1
TO BE CONCENTRIC	0. XXX = ±0.05
4. CHAMFER 1ST & LAST	
5. BREAK ALL CONNERS &	
EDGES CO.15 MAX.	



Hwayou International Co., Ltd.
 Ethernet Waterproof Connector With
 Both Side Covers ASSY-1

TITLE	Ethernet Waterproof Connector With Both Side Covers ASSY-1	
DRAWING NO.	HYRJ-D01-25.0	
APPROVED	DRAWN DATE	08/07/10
CHECKED	SCALE	4:1
DRAWN	UNIT	mm
ALICE		

REV	DATE	DESCRIPTION	DRAWN



Hole dimension

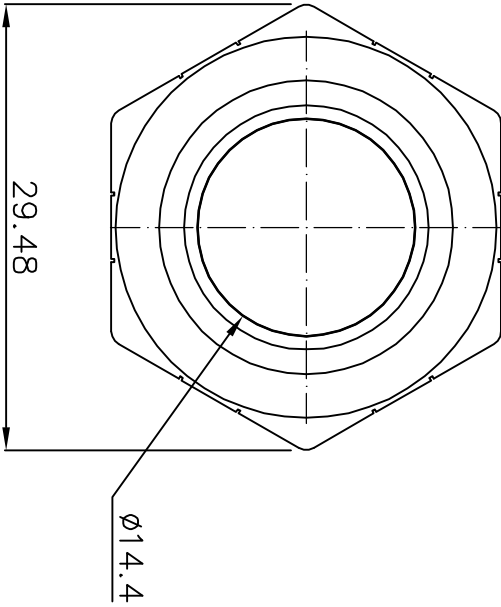
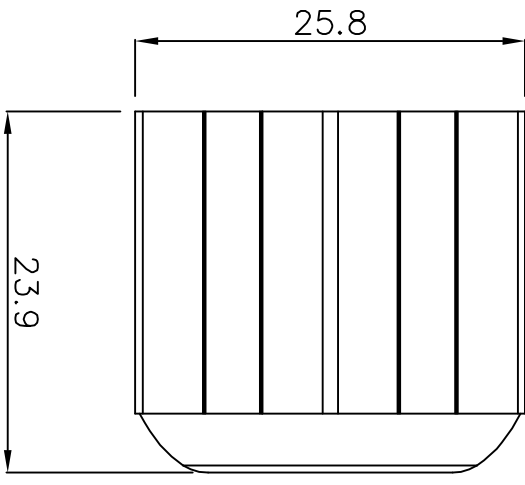
NOTE	DIMENSION
1. STRIP ALL BURRS.	UNLESS OTHERWISE NOTED TOLERANCES
2. ALL DIMENSIONS ARE AFTER PLATING.	0. X = ±0.2
3. DIAMETERS ON COMMON CENTERS TO BE CONCENTRIC WITHIN 0.1 T.I.R	0. XX = ±0.1
4. CHAMFER 1ST & LAST THREADS 45°	0. XXX = ±0.05
5. BREAK ALL CORNERS & EDGES CO.15 MAX.	



Hwayou International Co., Ltd.
 Ethernet Waterproof Connector With Both Side Covers ASSY-2

TITLE	Ethernet Waterproof Connector With Both Side Covers ASSY-2		
DRAWING NO.	HYRJ-D01-25.0		
APPROVED		DRAWN DATE	08/07/10
CHECKED		SCALE	1:1
DRAWN	ALICE	UNIT	mm

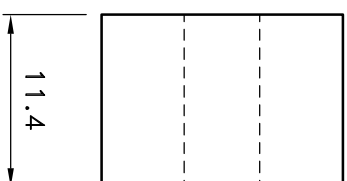
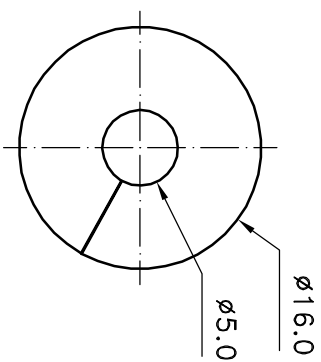
REV	DATE	DESCRIPTION	DRAWN



NOTE	DIMENSION
1. STRIP ALL BURRS.	UNLESS OTHERWISE NOTED TOLERANCES 0.X = ± 0.2 0.XX = ± 0.1 0.XXX = ± 0.05
2. ALL DIMENSIONS ARE AFTER PLATING.	
3. DIAMETERS ON COMMON CENTERS, TO BE CONCENTRIC WITHIN 0.1 T.I.R.	
4. CHAMFER 1.5 \times & LAST 1.5 \times & LAST	
5. BREAK ALL CORNERS & EDGES CO.15 MAX.	

TITLE WEC-Top Screw	
DRAWING NO. R1-0001	
APPROVED	DRAWN DATE 08/07/10
CHECKED	SCALE 2:1
DRAWN ALICE	UNIT mm

REV	DATE	DESCRIPTION	DRAWN
1			



NOTE	DIMENSION
1. STRIP ALL BURRS. 2. ALL DIMENSIONS ARE AFTER PLATING. 3. DIAMETERS ON COMMON CENTERS. 4. CHAMFER 1ST & LAST HEADS WITHIN 0.1 T.I.R. 5. BREAK ALL CORNERS & EDGES CO.15 MAX.	UNLESS OTHERWISE NOTED TOLERANCES $X = \pm 0.3$ $0.X = \pm 0.2$ $0.XX = \pm 0.1$



TITLE

WEC-Waterproof Washer

DRAWING NO.
R1-0013

APPROVED

DRAWN DATE
09/02/16

CHECKED

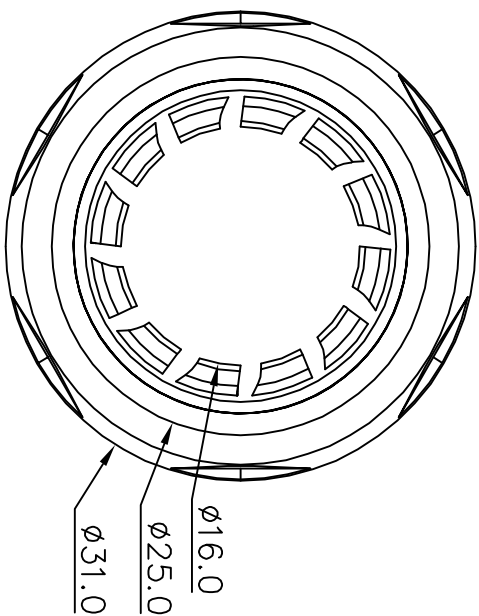
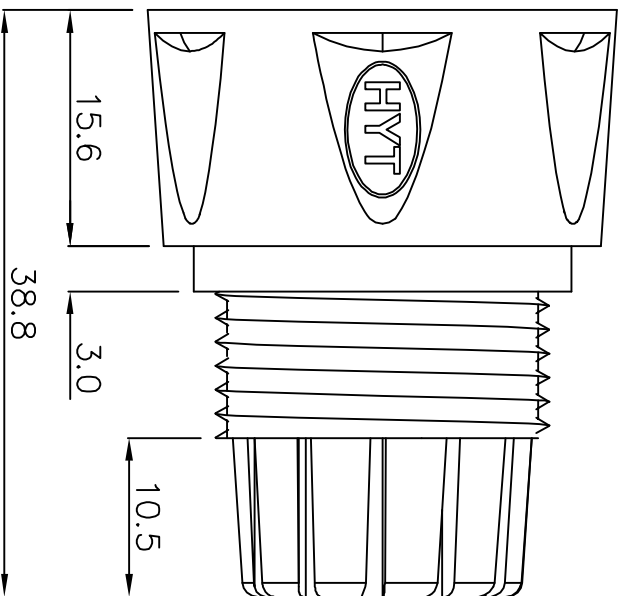
SCALE
2:1

DRAWN

ALICE

UNIT
mm

REV	DATE	DESCRIPTION	DRAWN

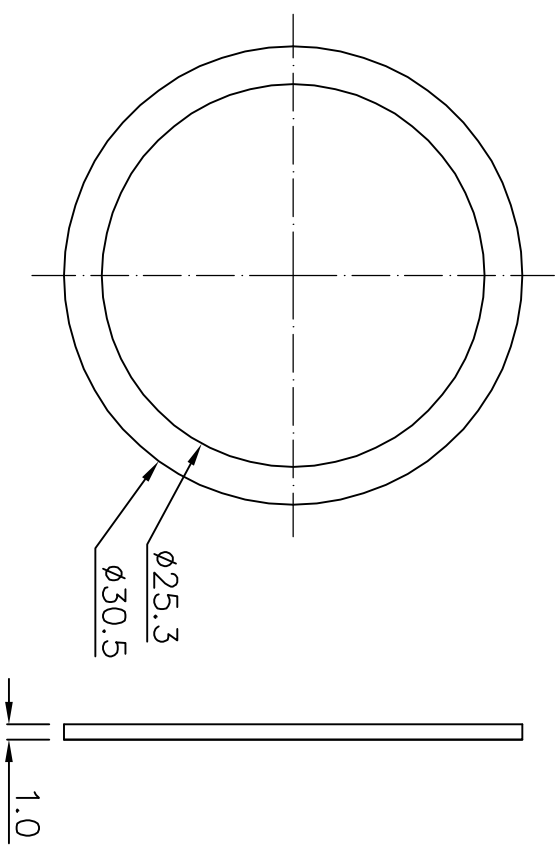


NOTE	DIMENSION
1. STRIP ALL BURRS.	UNLESS OTHERWISE NOTED TOLERANCES 0.X = ± 0.2 0.XX = ± 0.1 0.XXX = ± 0.05
2. ALL DIMENSIONS ARE AFTER PLATING.	
3. DIAMETERS ON COMMON CENTERS, TO BE CONCENTRIC WITHIN 0.1 T.I.R.	
4. CHAMFER 1ST & LAST HEADS.	
5. BREAK ALL CORNERS & EDGES CO.15 MAX.	



TITLE	WEC- Clip
DRAWING NO.	R1-0003
APPROVED	
CHECKED	
DRAWN	ALICE
DRAWN DATE	08/07/10
SCALE	2:1
UNIT	mm

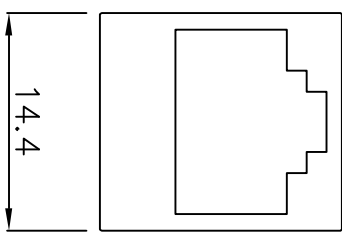
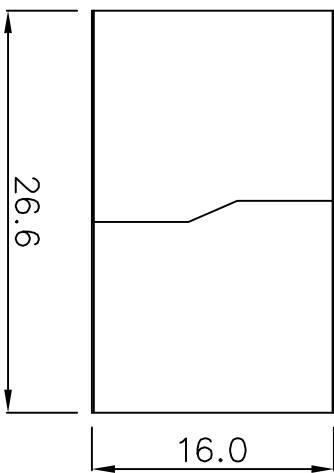
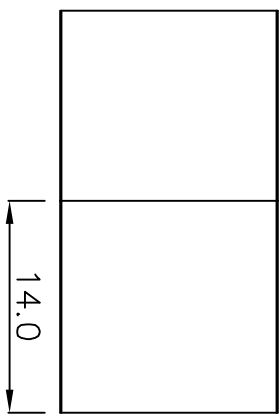
REV	DATE	DESCRIPTION	DRAWN



NOTE	DIMENSION
1. STRIP ALL BURRS.	UNLESS OTHERWISE NOTED TOLERANCES
2. ALL DIMENSIONS ARE AFTER PLATING.	0.X = ± 0.2
3. DIAMETERS ON COMMON CENTERS TO BE CONCENTRIC WITHIN 0.1 T.I.R.	0.XX = ± 0.1
4. CHAMFER 1ST & LAST HEADS 45° & BREAK ALL CORNERS & EDGES CO.15 MAX.	0.XXX = ± 0.05

 Hwayou International Co., Ltd.	
TITLE WEC-Waterproof Spacer 01	
DRAWING NO. R1-0006	DRAWN DATE 08/07/10
APPROVED	SCALE 2:1
CHECKED	UNIT mm
DRAWN ALICE	

REV	DATE	DESCRIPTION	DRAWN

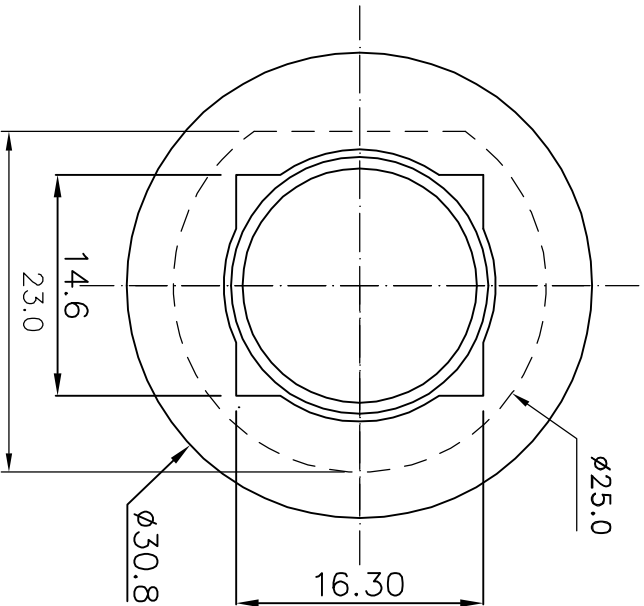
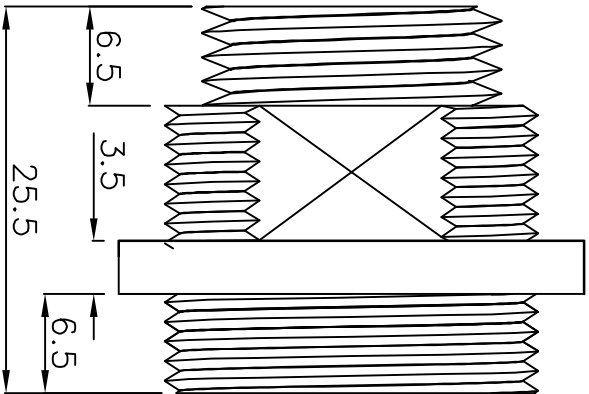


NOTE	DIMENSION
1. STRIP ALL BURRS.	UNLESS OTHERWISE NOTED TOLERANCES 0.X = ±0.2 0.XX = ±0.1 0.XXX = ±0.05
2. ALL DIMENSIONS ARE AFTER PLATING.	
3. DIAMETERS ON COMMON CENTERS TO BE CONCENTRIC WITHIN 0.1 T.I.R.	
4. CHAMFER 1ST & LAST THREADS.	
5. BREAK ALL CORNERS & EDGES CO.15 MAX.	



TITLE WEC-RJ45 Adapter	
DRAWING NO. R1-0004	DRAWN DATE 08/07/10
APPROVED	SCALE 2:1
CHECKED	UNIT mm
DRAWN ALICE	

REV	DATE	DESCRIPTION	DRAWN



NOTE	DIMENSION
1. STRIP ALL BURRS.	UNLESS OTHERWISE
2. ALL DIMENSIONS ARE	NOTED TOLERANCES
3. DIAMETERS ON COMMON	0.X = ± 0.2
4. CHAMFER 1ST & LAST	0.XX = ± 0.1
5. BREAK ALL CORNERS &	0.XXX = ± 0.05

TITLE WEC-Body	
DRAWING NO. R1-0010	DRAWN DATE 08/07/10
APPROVED	SCALE 2:1
CHECKED	UNIT mm
DRAWN ALICE	