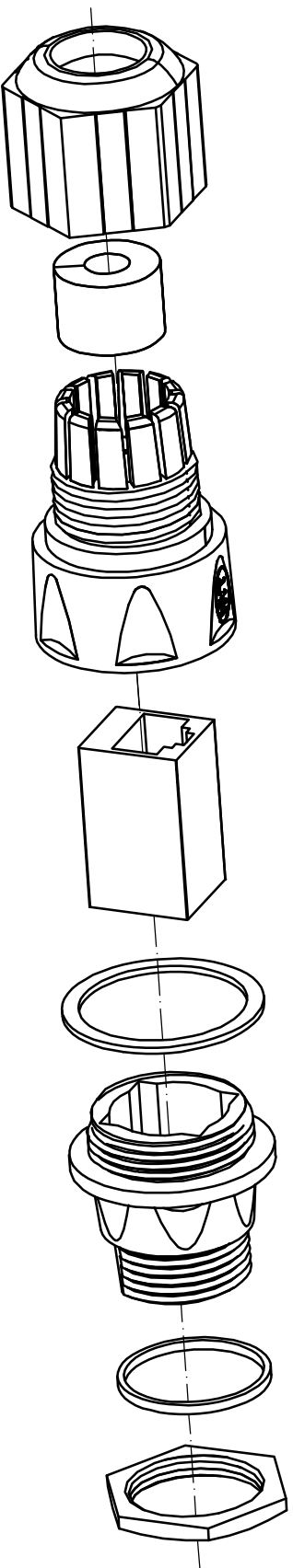


REV	DATE	DESCRIPTION	DRAWN
1			



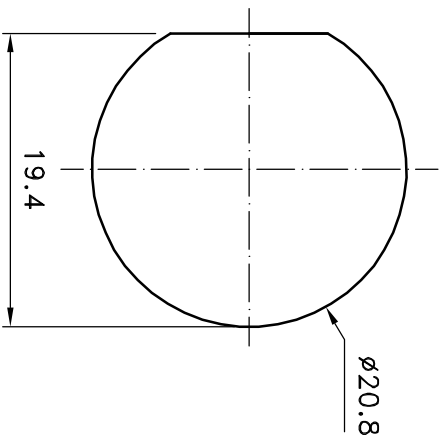
NOTE	DIMENSION
1. STRIP ALL BURRS. 2. ALL DIMENSIONS ARE AFTER PLATING. 3. DIAMETERS ON COMMON CENTERS TO BE CONCENTRIC WITHIN 0.1 T.I.R. 4. CHAMFER 1ST & LAST THREADS. 5. BREAK ALL CORNERS & EDGES CO.15 MAX.	UNLESS OTHERWISE NOTED TOLERANCES X = ±0.3 0.X = ±0.2 0.XX = ±0.1



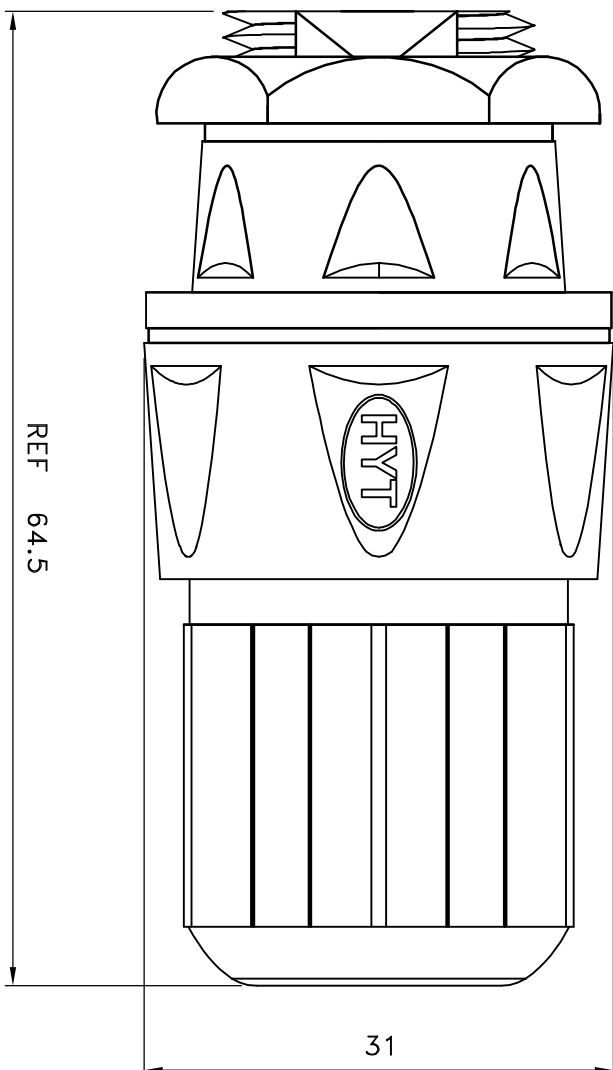
TITLE  
Outdoor Ethernet Waterproof Connector With ASSY-1

DRAWING NO. HYRJ-S02-20.6	DRAWN DATE 09/04/02
APPROVED	SCALE 1:1
CHECKED	UNIT mm
DRAWN ALICE	

REV	DATE	DESCRIPTION	DRAWN
1			



Hole dimension

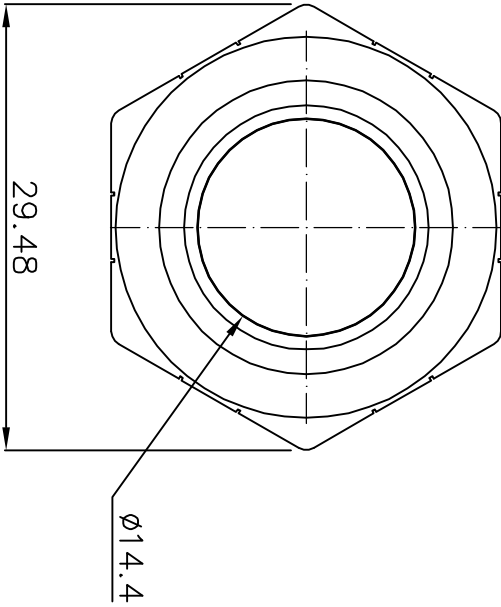
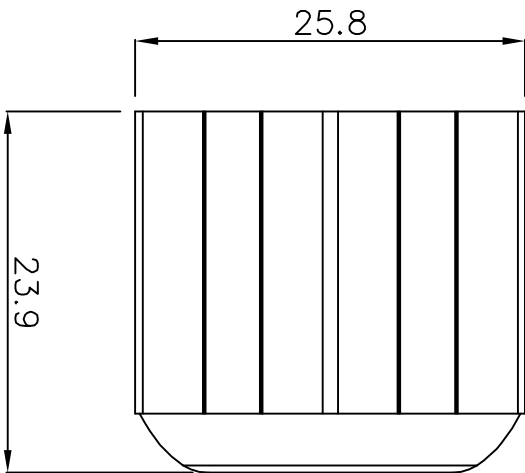


NOTE	DIMENSION
1. STRIP ALL BURRS.	UNLESS OTHERWISE NOTED TOLERANCES X = $\pm 0.3$ O.X = $\pm 0.2$ O.XX = $\pm 0.1$
2. ALL DIMENSIONS ARE AFTER PLATING.	
3. DIAMETERS ON COMMON CENTERS TO BE CONCENTRIC WITHIN 0.1 T.I.R.	
4. CHAMFER 1ST & LAST HEADS.	
5. BREAK ALL CORNERS & EDGES CO.15 MAX.	



DRAWING NO.	HYRJ-S02-20.6
APPROVED	
CHECKED	
DRAWN	ALICE
DRAWN DATE	09/04/02
SCALE	2:1
UNIT	mm

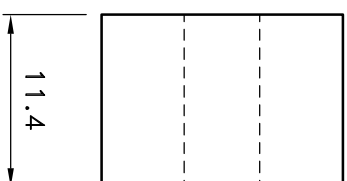
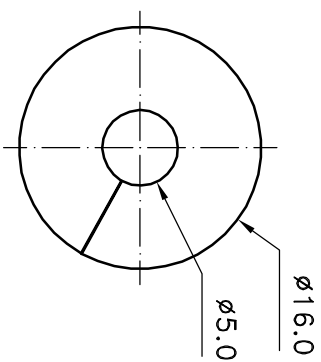
REV	DATE	DESCRIPTION	DRAWN



NOTE	DIMENSION
1. STRIP ALL BURRS.	UNLESS OTHERWISE NOTED TOLERANCES 0.X = $\pm 0.2$ 0.XX = $\pm 0.1$ 0.XXX = $\pm 0.05$
2. ALL DIMENSIONS ARE AFTER PLATING.	
3. DIAMETERS ON COMMON CENTERS, TO BE CONCENTRIC WITHIN 0.1 T.I.R.	
4. CHAMFER 1.5 $\times$ & LAST 1.5 $\times$ & LAST	
5. BREAK ALL CORNERS & EDGES CO.15 MAX.	

<b>TITLE</b> WEC-Top Screw	
<b>DRAWING NO.</b> R1-0001	
<b>APPROVED</b>	<b>DRAWN DATE</b> 08/07/10
<b>CHECKED</b>	<b>SCALE</b> 2:1
<b>DRAWN</b> ALICE	<b>UNIT</b> mm

REV	DATE	DESCRIPTION	DRAWN
1			



NOTE	DIMENSION
1. STRIP ALL BURRS. 2. ALL DIMENSIONS ARE AFTER PLATING. 3. DIAMETERS ON COMMON CENTERS. 4. CHAMFER 1ST & LAST HEADS WITHIN 0.1 T.I.R. 5. BREAK ALL CORNERS & EDGES CO.15 MAX.	UNLESS OTHERWISE NOTED TOLERANCES X = $\pm 0.3$ O.X = $\pm 0.2$ 0.XX = $\pm 0.1$



**Hwayou** International Co., Ltd.

TITLE

WEC-Waterproof Washer

DRAWING NO.

R1-0013

APPROVED

DRAWN DATE  
09/02/16

CHECKED

SCALE  
2:1

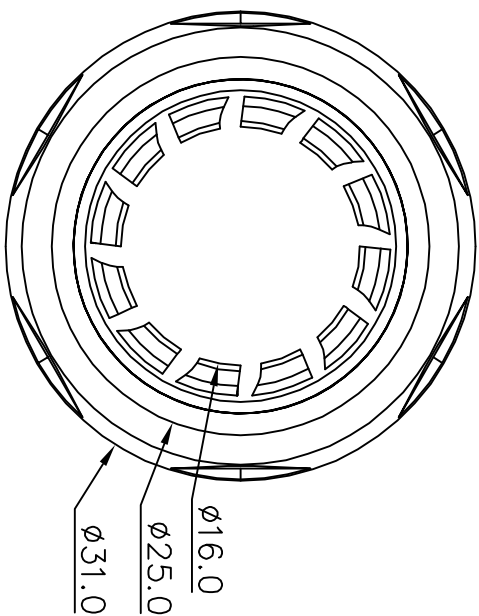
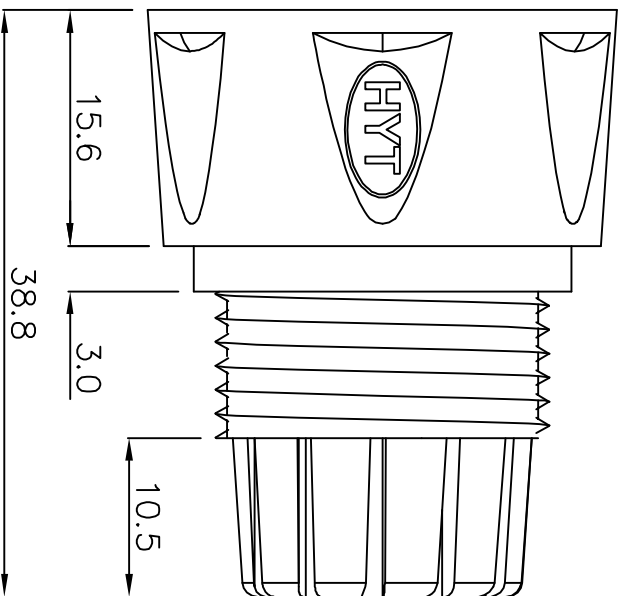
DRAWN

ALICE

UNIT

mm

REV	DATE	DESCRIPTION	DRAWN



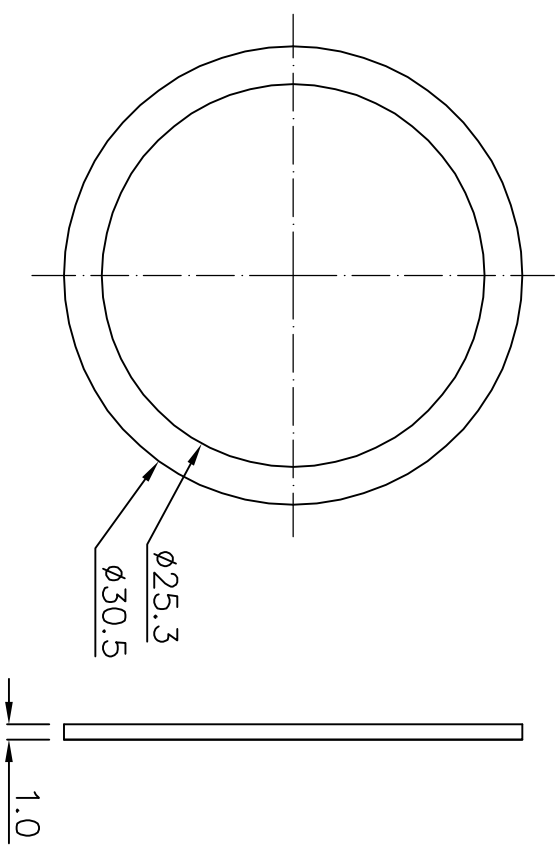
NOTE	DIMENSION
1. STRIP ALL BURRS.	UNLESS OTHERWISE
2. ALL DIMENSIONS ARE	NOTED TOLERANCES
3. DIAMETERS ON COMMON	0.X = $\pm 0.2$
4. CHAMFER 1ST & LAST	0.XX = $\pm 0.1$
5. BREAK ALL CORNERS &	0.XXX = $\pm 0.05$



**Hwayou** International  
Co., Ltd.

TITLE	WEC- Clip
DRAWING NO.	R1-0003
APPROVED	
CHECKED	
DRAWN	ALICE
DRAWN DATE	08/07/10
SCALE	2:1
UNIT	mm

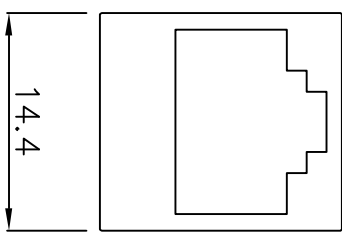
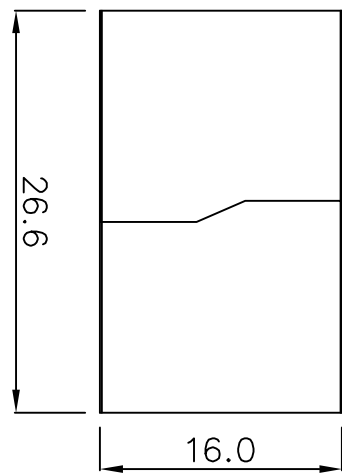
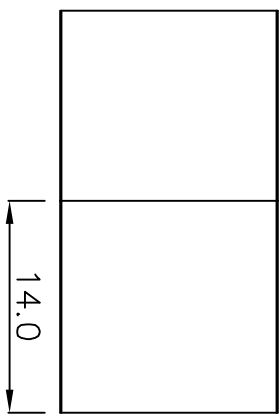
REV	DATE	DESCRIPTION	DRAWN



NOTE	DIMENSION
1. STRIP ALL BURRS.	UNLESS OTHERWISE NOTED TOLERANCES
2. ALL DIMENSIONS ARE AFTER PLATING.	0.X = ±0.2
3. DIAMETERS ON COMMON CENTERS TO BE CONCENTRIC WITHIN 0.1 T.I.R.	0.XX = ±0.1
4. CHAMFER 1ST & LAST HEADS.	0.XXX = ±0.05
5. BREAK ALL CORNERS & EDGES CO.15 MAX.	

 <b>Hwayou</b> International Co., Ltd.	
<b>TITLE</b> WEC-Waterproof Spacer 01	
<b>DRAWING NO.</b> R1-0006	<b>DRAWN DATE</b> 08/07/10
<b>APPROVED</b>	<b>SCALE</b> 2:1
<b>CHECKED</b>	<b>UNIT</b> mm
<b>DRAWN</b> ALICE	

REV	DATE	DESCRIPTION	DRAWN

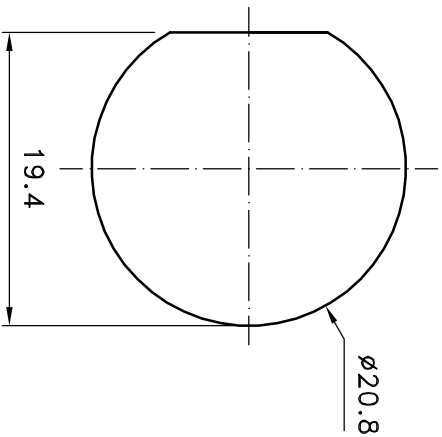
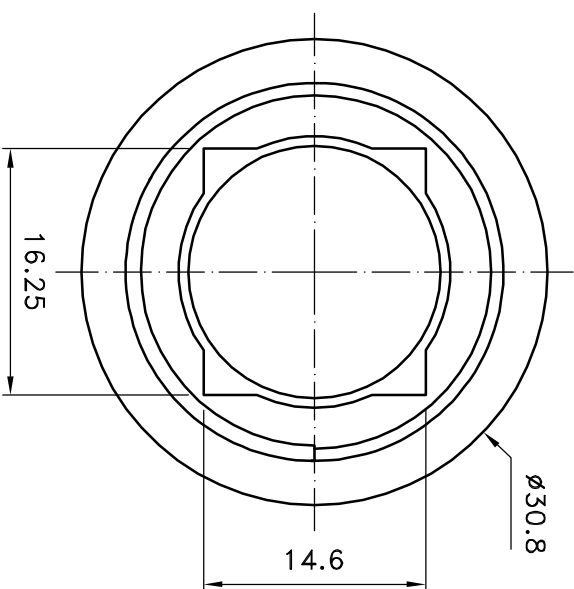
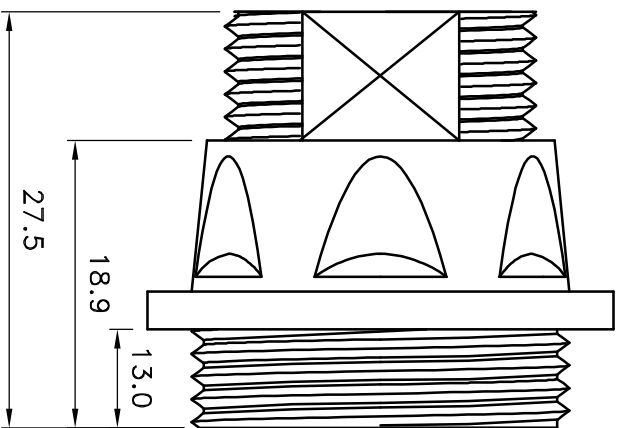
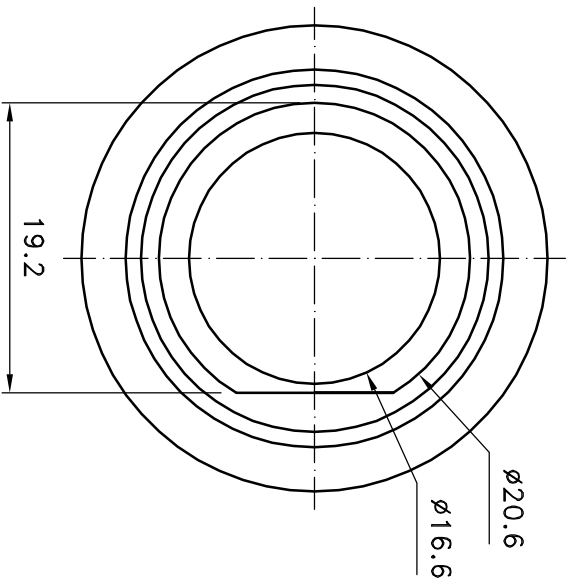


NOTE	DIMENSION
1. STRIP ALL BURRS.	UNLESS OTHERWISE NOTED TOLERANCES 0.X = ±0.2 0.XX = ±0.1 0.XXX = ±0.05
2. ALL DIMENSIONS ARE AFTER PLATING.	
3. DIAMETERS ON COMMON CENTERS TO BE CONCENTRIC WITHIN 0.1 T.I.R.	
4. CHAMFER 1ST & LAST THREADS.	
5. BREAK ALL CORNERS & EDGES CO.15 MAX.	



<b>TITLE</b> <b>WEC-RJ45 Adapter</b>	
<b>DRAWING NO.</b> R1-0004	<b>DRAWN DATE</b> 08/07/10
<b>APPROVED</b>	<b>SCALE</b> 2:1
<b>CHECKED</b>	<b>UNIT</b> mm
<b>DRAWN</b> ALICE	

REV	DATE	DESCRIPTION	DRAWN
1			



Hole dimension

NOTE	DIMENSION
1. STRIP ALL BURRS.	UNLESS OTHERWISE NOTED TOLERANCES X = ±0.3 0.X = ±0.2 0.XX = ±0.1
2. ALL DIMENSIONS ARE AFTER PLATING.	
3. DIAMETERS ON COMMON CENTERS TO BE CONCENTRIC WITHIN 0.1 T.I.R.	
4. CHAMFER 1ST & LAST HEADS 45°	
5. BREAK ALL CORNERS & EDGES CO.15 MAX.	



**Hwayou** International Co., Ltd.

TITLE

WEC-Body

DRAWING NO.

R1-0011

APPROVED

DRAWN DATE  
09/04/17

CHECKED

SCALE  
2:1

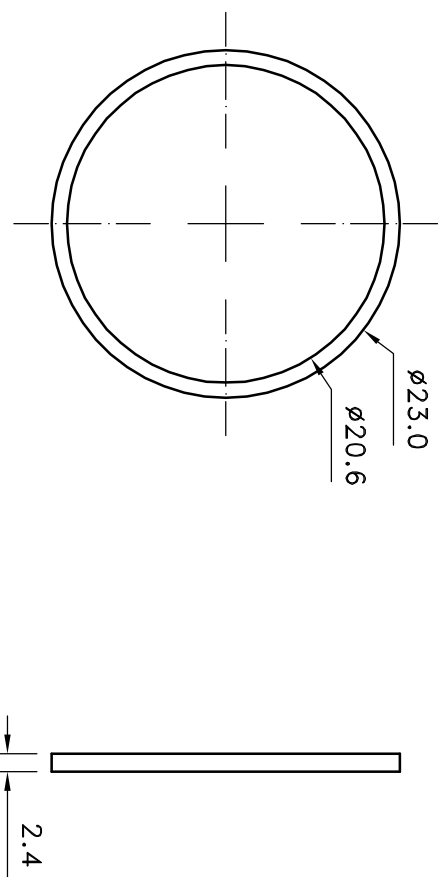
DRAWN

ALICE

UNIT

mm

REV	DATE	DESCRIPTION	DRAWN
1			

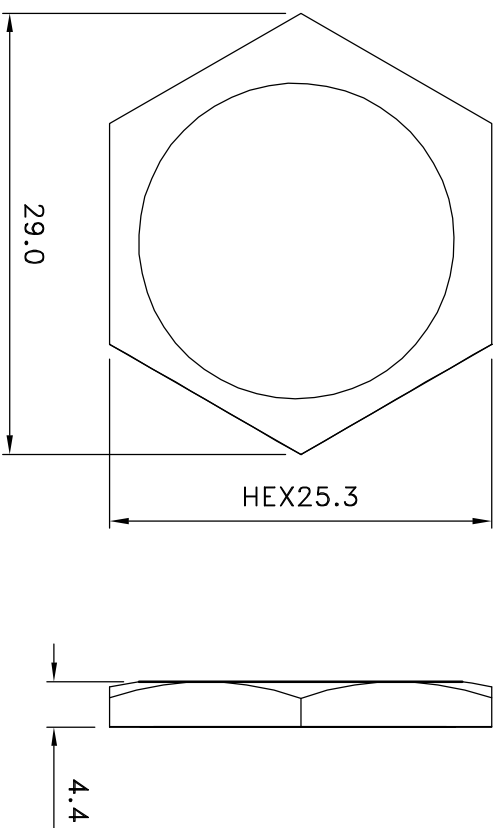


NOTE	DIMENSION
1. STRIP ALL BURRS. 2. ALL DIMENSIONS ARE AFTER PLATING. 3. DIAMETERS ON COMMON CENTERS. 4. CHAMFER 1ST & LAST THREADS. 5. BREAK ALL CORNERS & EDGES CO.15 MAX.	UNLESS OTHERWISE NOTED TOLERANCES X = $\pm 0.3$ O.X = $\pm 0.2$ O.XX = $\pm 0.1$



TITLE WEC-Waterproof Spacer 02	
DRAWING NO. R1-0009	
APPROVED	DRAWN DATE 09/04/17
CHECKED	SCALE 2:1
DRAWN ALICE	UNIT mm

REV	DATE	DESCRIPTION	DRAWN
1			



NOTE	DIMENSION
1. STRIP ALL BURRS. 2. ALL DIMENSIONS ARE AFTER PLATING. 3. DIAMETERS ON COMMON CENTERS TO BE CONCENTRIC WITHIN 0.1 T.I.R. 4. CHAMFER 1ST & LAST THREADS. 5. BREAK ALL CORNERS & EDGES CO.15 MAX.	UNLESS OTHERWISE NOTED TOLERANCES X = ±0.3 0.X = ±0.2 0.XX = ±0.1



TITLE  
**WEC-Nut**

DRAWING NO.  
**R1-0012**

APPROVED  
**09/04/17**

CHECKED  
**SCALE 2:1**

DRAWN  
**ALICE** UNIT  
**mm**